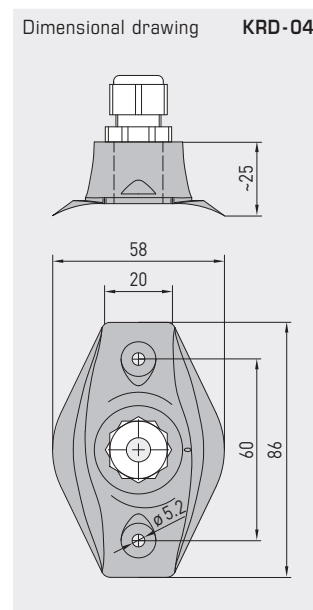
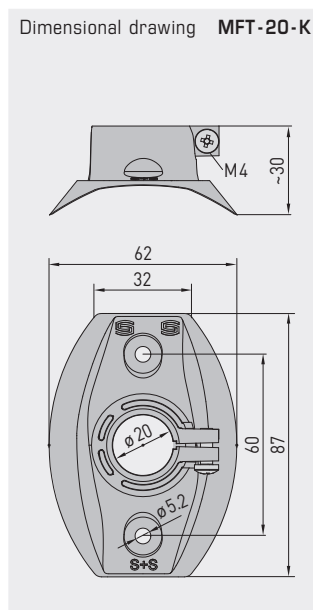
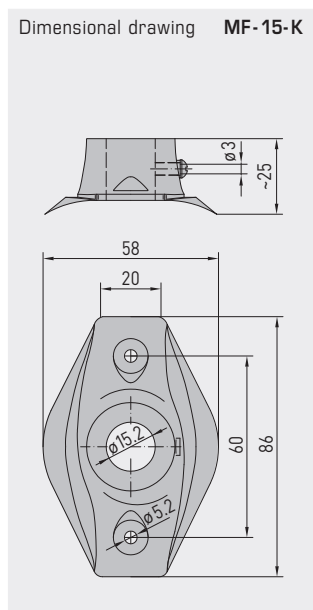
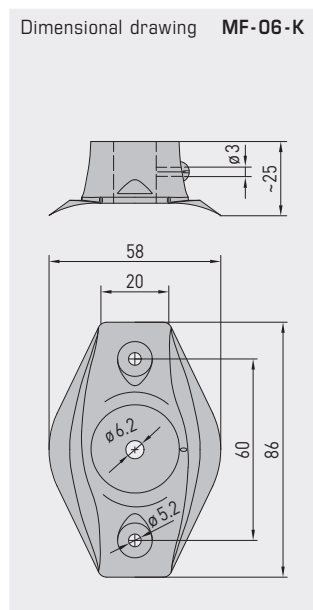


Mounting flange, plastic
Capillary tube gland bracket



MF-06-K

Mounting flange, plastic

MF-15-K

Mounting flange, plastic

MFT-20-K

Mounting flange, plastic

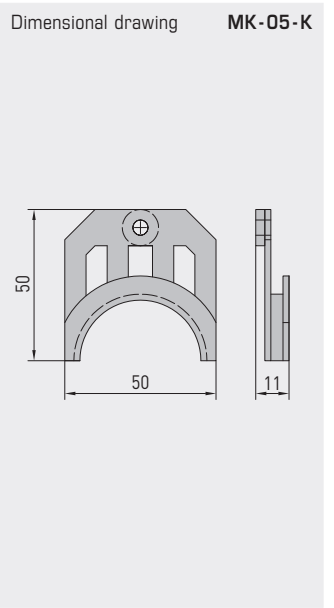
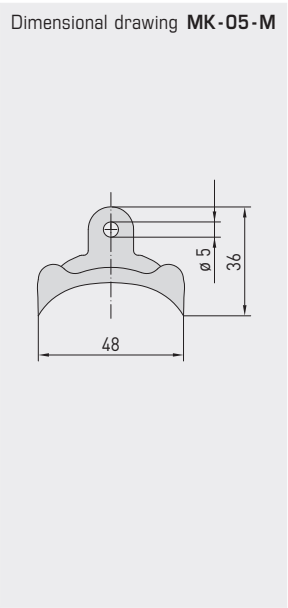
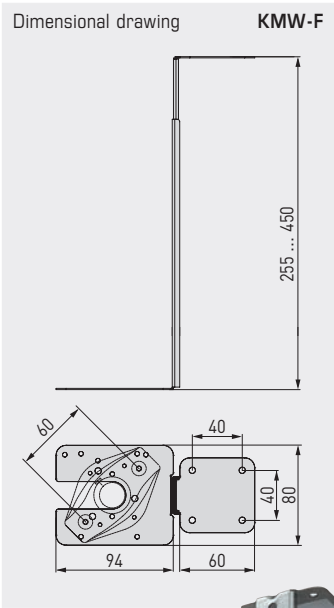
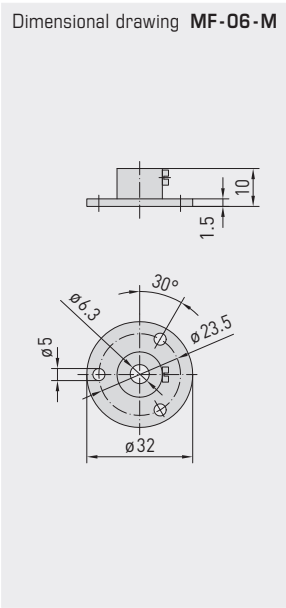
KRD-04

Capillary tube gland bracket, plastic



Type/WG01	Mounting flange, plastic	Tube Gland	T _{max}	Item No.	Price
MF-xx-K	for metal protective tubes!				
MF-06-K	Mounting flange, plastic, approx. 58 x 86 x 25 mm for rod sensors MWTF/MWTM	Ø 6.2 mm	+100 °C	7100-0030-1000-000	6,75 €
MF-10-K	Mounting flange, plastic, approx. 58 x 86 x 25 mm for duct air flow monitors KLGF/KLSW	Ø 10.2 mm	+100 °C	7100-0031-1000-000	10,55 €
MF-14-K	Mounting flange, plastic, approx. 58 x 86 x 25 mm for duct humidity sensors KFF/KFTF and pendulum room humidity sensors RPFF/RPFTF as well as for duct air flow monitors KLGF/KLSW	Ø 14.2 mm	+100 °C	7100-0030-2000-000	10,55 €
MF-15-K	Mounting flange, plastic, approx. 58 x 86 x 25 mm for temperature sensors TF (series Tyr 1) and temperature measuring transducers TM (series Tyr 1)	Ø 15.2 mm	+100 °C	7100-0032-0000-000	6,75 €
MF-20-K	Mounting flange, plastic, approx. 58 x 86 x 25 mm for duct sensors KH	Ø 20.2 mm	+100 °C	7100-0030-4000-000	10,55 €
MFT-20-K	for PLEUROFORM multi-channel pipes!				
MFT-20-K	Mounting flange, plastic, approx. 62 x 87 x 30 mm for duct sensors (series Tyr 1 / Tyr 2)	Ø 20 mm	+100 °C	7000-0031-0000-000	10,55 €

Type/WG01	Capillary tube gland bracket	Item No.	Price
KRD-04	Capillary tube gland bracket, plastic, approx. 58 x 86 x 25 mm (M 16 x 1.5) for frost protection thermostats (e.g. for air ducts) and rod sensors MWTF/MWTM	7100-0030-7000-000	9,84 €



MF-06-M

Mounting flange, metal



KMW-F

Duct mounting angle, metal



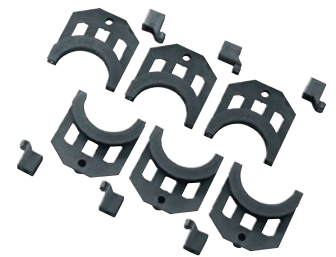
MK-05-M

Galvanised steel mounting clamps



MK-05-K

Mounting clamps, plastic

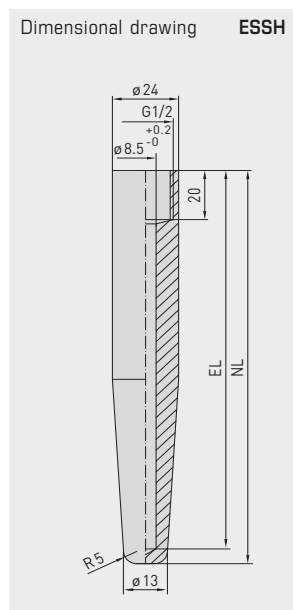


Type / WG01	Mounting flange, metal	Tube Gland	T _{max}	Item No.	Price
MF-xx-M	for metal protective tubes!				
MF-06-M	Mounting flange, metal (galvanised steel), Ø 32 mm, for temperature sensors TF (form B) temperature measuring transducers TM (form B), rod sensors MWTF / MWTM	Ø 6.3 mm	+700 °C	7100-0030-5000-100	13,87 €

Type / WG01	Duct mounting angle, metal	Item No.	Price
KMW-F	flexible for duct sensors		
KMW-F 450MM	for installing duct sensors in the ventilation duct or ventilation unit material: galvanised sheet steel, DX51D+Z 275 MB-C, t=1,0mm adjustable from 255...450mm, incl. fixing screws	7100-0030-0100-450	32,55 €

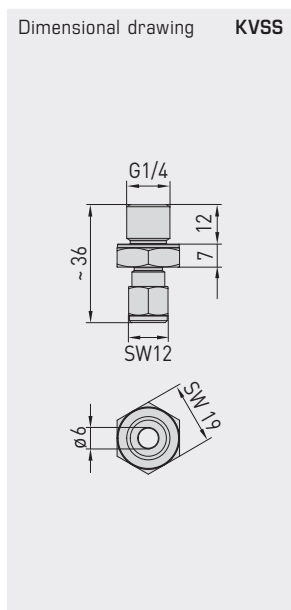
Type / WG01	Mounting clamps	Item No.	Price
MK-05-M	Galvanised steel mounting clamps (6 pieces) for rod sensors MWTF / MWTM	7100-0034-0000-000	10,91 €
MK-05-K	Plastic mounting clamps (6 pieces) for frost protection thermostats	7100-0034-1000-000	10,91 €

Mounting accessories
for Immersion sensor



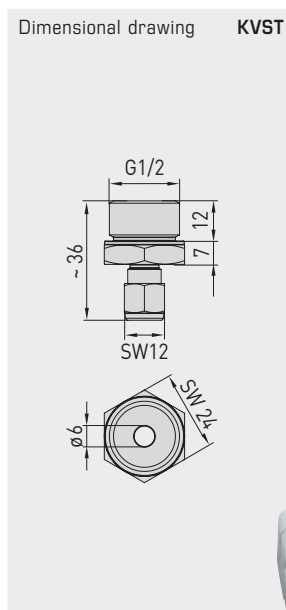
ESSH

Welding protective sleeve



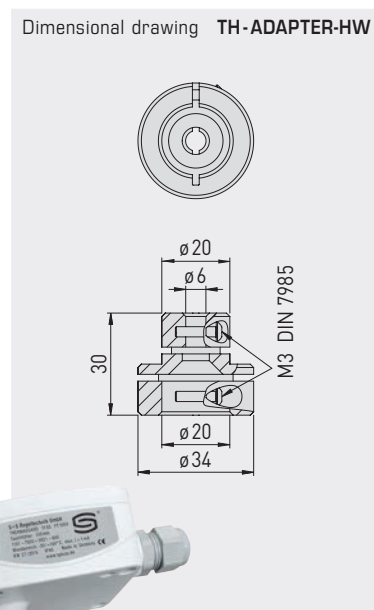
KVSS

Clamp union with cutting ring



KVST

Clamp union with clamp ring



TH-ADAPTER-HW

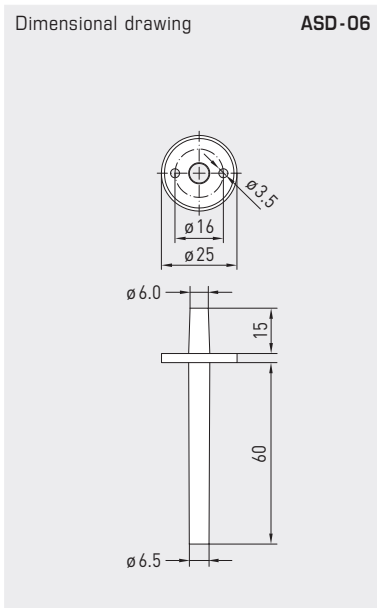
Immersion sleeve adapter, metal



Type / WG01	Welding protective sleeve	Item No.	Price
	Welding protecting sleeves, G 1/2" straight internal pipe thread, stainless steel V4A (1.4571), other materials on request,		
ESSH 100MM	for immersion sleeves (EL) = 100 mm, P _{max} = 100 bar	7100-0052-0020-001	75,99 €
ESSH 150MM	for immersion sleeves (EL) = 150 mm, P _{max} = 100 bar	7100-0052-0030-001	87,24 €
ESSH 200MM	for immersion sleeves (EL) = 200 mm, P _{max} = 100 bar	7100-0052-0040-001	98,47 €

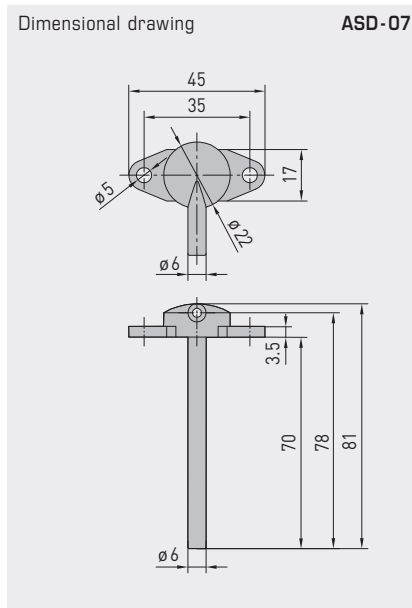
Type / WG01	Clamp union	Item No.	Price
KVST	Clamp union with clamp ring PTFE, Ø 6 mm	7100-0032-0110-000	108,11 €
KVSS	Clamp union with cutting ring VA, Ø 6 mm	7100-0032-1000-000	69,66 €

Type / WG01	Immersion sleeve adapter, metal	Item No.	Price
TH-ADAPTER-HW	Metal immersion sleeve adapter (adaptation Ø 20 mm / Ø 6 mm) for mounting S+S temperature sensors from the TF and TM series in immersion sleeves by Honeywell / CentraLine of the types VFFT, VFL, VFNT, VFLN	7100-0037-0001-000	17,09 €



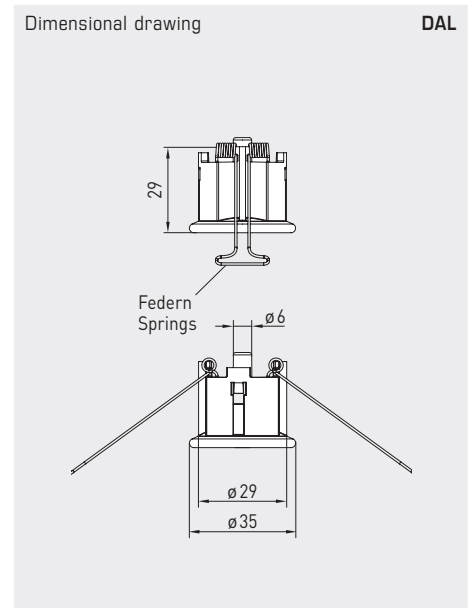
ASD-06

Connection set
(straight nipples)



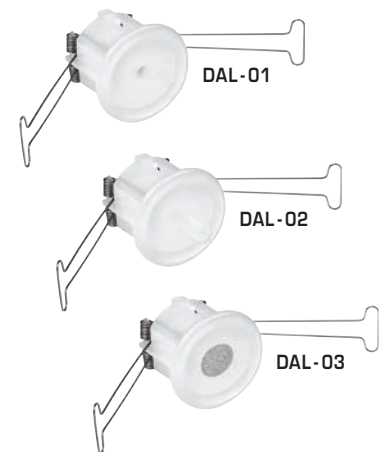
ASD-07

Connection nipples
(at 90 degree angle)



DAL

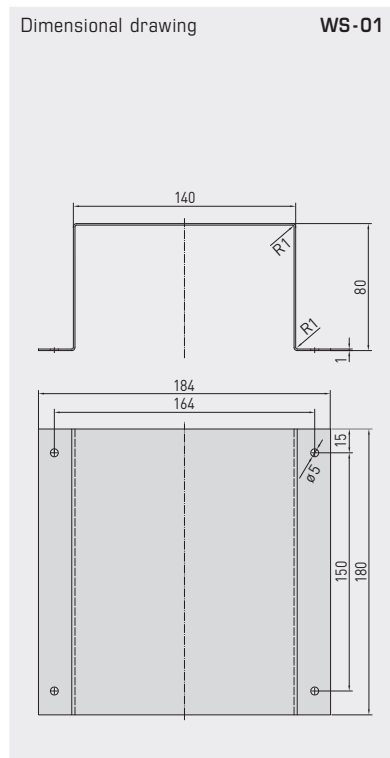
Pressure outlet



Type / WG01	Accessories for differential pressure switches	Item No.	Price
ASD-06	Connection set consisting of 2 connection nipples (straight) made of ABS, 2 m PVC hose (soft, UV-resistant), 4 Philips head screws (no pre-drilling required)	7100-0060-3000-000	8,43 €
ASD-07	2 connection nipples (at 90 degree angle) made of ABS	7100-0060-7000-000	8,43 €
ASS-UV 100M	Connecting hose, UV-resistant, Ø 6mm, 1 roll (100m)	7100-0060-3101-000	1785,58 €
DAL-01	Pressure outlet for ceiling and in-wall installation, colour pure white (similar to RAL 9010) as a pressure reference point, Ø 6mm	7300-0060-3000-001	39,46 €
DAL-02	for hose attachment, Ø 6mm	7300-0060-3000-100	39,46 €
DAL-03	as a pressure reference point, with sinter filter made of stainless steel V4A (1.4404), Ø 6mm	7300-0060-3000-200	73,91 €

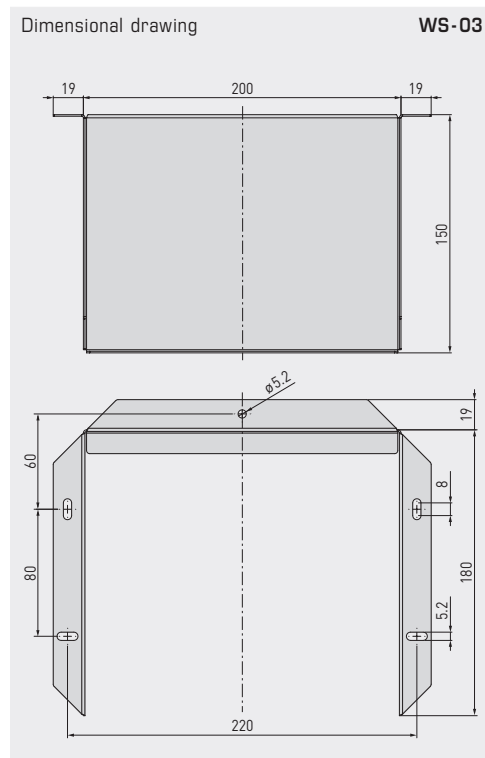
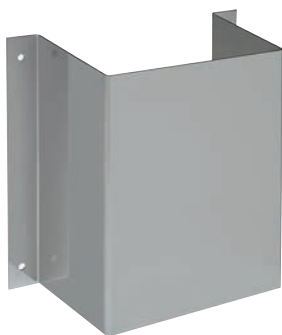
Type / WG01	Accessories for differential pressure switches DS1, DS2	Item No.	Price
DS-MW-Z	Sheet steel mounting angle in Z-Form	7100-0063-0000-000	14,74 €
DS-MW-L	Sheet steel mounting angle in L-Form	7100-0063-1000-000	15,08 €
DS-MW-U	Sheet steel mounting angle in U-Form	7100-0060-9000-000	18,54 €

Protection hoods



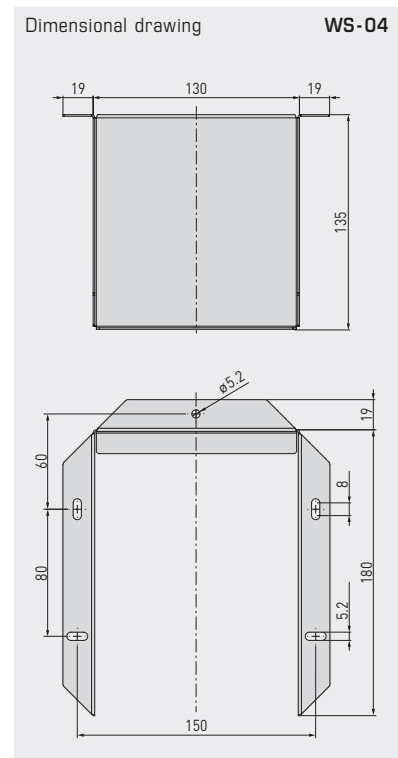
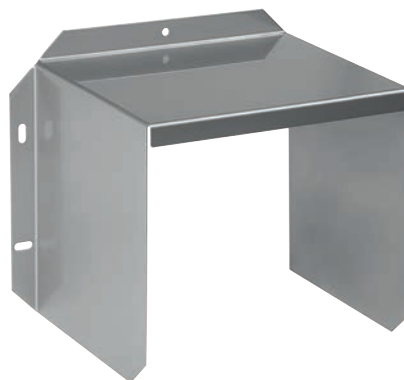
WS-01

Sun and ball-impact protection hood



WS-03

Weather and sun protection hood

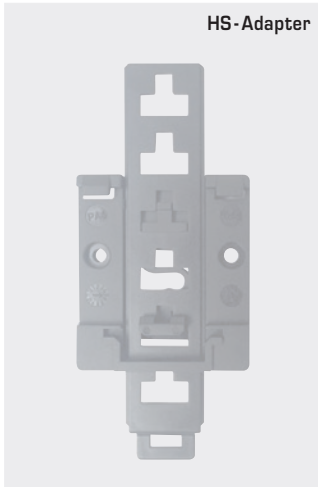


WS-04

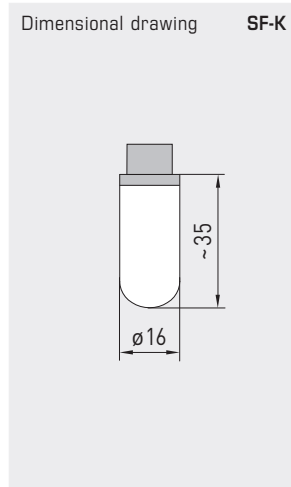
Weather and sun protection hood



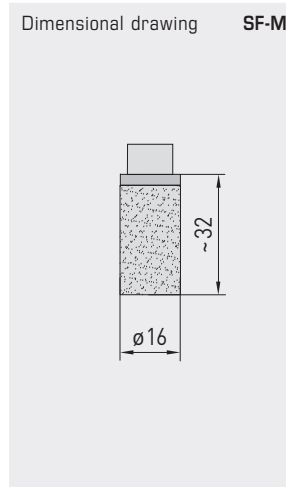
Type / WG01	Protection hoods	Item No.	Price
WS-01	Sun and ball-impact protection hood, 184 x 180 x 80 mm, stainless steel V2A (1.4301)	7100-0040-2000-000	35,05 €
WS-03	Weather and sun protection hood, 200 x 180 x 150 mm, stainless steel V2A (1.4301)	7100-0040-6000-000	49,36 €
WS-04	Weather and sun protection hood, 130 x 180 x 135 mm, stainless steel V2A (1.4301)	7100-0040-7000-000	41,35 €



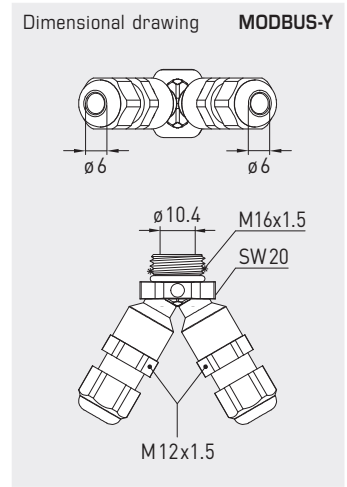
HS-Adapter



Dimensional drawing SF-K



Dimensional drawing SF-M



Dimensional drawing MODBUS-Y

HS-Adapter

Universal holder for small housing on top-hat rails



SF-K

Plastic sinter filter



SF-M

Metal sinter filter



MODBUS-Y

Y-adapter as a bypass for bus connection



Type / WG01	Spare parts, small parts and special accessories	Item No.	Price
SF-K	Plastic sinter filter, Ø 16 mm, L = 35 mm, exchangeable for humidity sensors	7000-0050-2310-000	14,19 €
SF-M	Metal sinter filter, Ø 16 mm, L = 32 mm, exchangeable, stainless steel V4A (1.4404) for humidity sensors	7000-0050-2200-100	46,70 €
PSW-09	1 set of stainless steel paddles 1-8" (4 pieces), 29 x 34/60/89/157 mm for flow monitors SW	7700-0010-1000-000	21,21 €
PWFS-08	Stainless steel vane for vane switch WFS	7700-0010-2000-000	20,54 €
WH-20	Wall bracket for duct hygrometers KH	1200-0010-4000-000	13,75 €
HS-ADAPTER	Universal holder for small housings made from plastic PA6, black, for installation on 35mm top-hat rails, incl. fixing screws	7100-0038-0000-000	24,60 €
SPB1	Strap for surface-contact sensors	7100-0035-0000-000	4,17 €
WLP-1	Heat-conductive paste, silicone-free (2 ml)	7100-0060-1000-000	5,13 €
MODBUS-Y	Y-adapter for cable gland M16x 1.5 (on 2x M12x 1.5), made of plastic	7000-0005-0002-100	11,61 €

Special accessories for M12 connector

5-pin / 12-pin, A coded,

Circular connector with screw-locking according to DIN EN 61076-2-101

AL xx

Connecting cable with cable socket



VL xx

Interconnecting cable with cable socket and cable connector



KB xx

Cable socket without cable



Connecting cable for M12 connector	Type / WG011	Cable length	Item No.	Price
PVC cable, 5-pin, shielded , with cable socket (M12, A coded, female), approx. Ø = 15 mm, L = 35 mm, and one open cable end	ALG xx A5F		5-pin, shielded	
	ALG M12-A5F PVC 2M	2 m	2000-9121-0000-031	30,27 €
	ALG M12-A5F PVC 5M	5 m	2000-9121-0000-041	38,82 €
	ALG M12-A5F PVC 10M	10 m	2000-9121-0000-051	53,45 €
PVC cable, 5-pin, unshielded , with cable socket (M12, A coded, female), approx. Ø = 15 mm, L = 35 mm, and one open cable end	AL xx A5F		5-pin, unshielded	
	AL M12-A5F PVC 2M	2 m	2000-9121-0000-001	20,74 €
	AL M12-A5F PVC 5M	5 m	2000-9121-0000-011	25,70 €
	AL M12-A5F PVC 10M	10 m	2000-9121-0000-021	33,53 €
PVC cable, 12-pin, unshielded , with cable socket (M12, A coded, female), approx. Ø = 15 mm, L = 35 mm, and one open cable end	AL xx A12F		12-pin, unshielded	
	AL M12-A12F PVC 2M	2 m	2000-9122-0000-001	66,57 €
	AL M12-A12F PVC 5M	5 m	2000-9122-0000-011	78,75 €
	AL M12-A12F PVC 10M	10 m	2000-9122-0000-021	99,46 €

Interconnecting cable for M12 connector	Type / WG011	Cable length	Item No.	Price
PVC cable, 5-pin, shielded , with cable socket (M12, A coded, female) and cable connector (M12, A coded, male) approx. Ø = 15 mm, L = 35 mm	VLG xx A5		5-pin, shielded	
	VLG M12-A5 PVC 2M	2 m	2000-9111-0000-031	65,12 €
	VLG M12-A5 PVC 5M	5 m	2000-9111-0000-041	73,77 €
	VLG M12-A5 PVC 10M	10 m	2000-9111-0000-051	88,59 €
PVC cable, 5-pin, unshielded , with cable socket (M12, A coded, female) and cable connector (M12, A coded, male) approx. Ø = 15 mm, L = 35 mm	VL xx A5		5-pin, unshielded	
	VL M12-A5 PVC 2M	2 m	2000-9111-0000-001	37,04 €
	VL M12-A5 PVC 5M	5 m	2000-9111-0000-011	41,88 €
	VL M12-A5 PVC 10M	10 m	2000-9111-0000-021	52,30 €
PVC cable, 12-pin, unshielded , with cable socket (M12, A coded, female) and cable connector (M12, A coded, male) approx. Ø = 15 mm, L = 35 mm	VL xx A12		12-pin, unshielded	
	VL M12-A12 PVC 2M	2 m	2000-9112-0000-001	138,92 €
	VL M12-A12 PVC 5M	5 m	2000-9112-0000-011	152,66 €
	VL M12-A12 PVC 10M	10 m	2000-9112-0000-021	175,64 €

Mounting accessories for M12 connector	Type / WG02	Contact	Item No.	Price
Cable socket (M12, A coded, female), approx. Ø = 20 mm, L = 54 mm, unassembled, without cable	KB xx		female	
	KB M12-A5	5-pin	7100-0070-0712-000	25,50 €
	KB M12-A12	12-pin	7100-0070-0714-000	76,12 €
Cable connector (M12, A coded, male), approx. Ø = 20 mm, L = 54 mm, unassembled, without cable	KS xx		male	
	KS M12-A5	5-pin	7100-0070-0716-000	25,50 €
	KS M12-A12	12-pin	7100-0070-0718-000	76,12 €



Special accessories for MB connector
4-pin, EtherCATP coded,
for industrial EtherCATP applications

ALG ECATP xx

Connecting cable
with one cable connector



VLG ECATP xx

Interconnecting cable
with two cable connectors



EtherCAT[®] P



Connecting cable for EtherCATP	Type / WG02	Cable length	Item No.	Price
PUR cable, 4-pin, shielded, with one cable connector (MB, EtherCATP coded) and one open cable end	ALG ECATP xx		shielded	
	ALG ECATP 0.5m	0.5 m	2000-9131-0000-001	43,64 €
	ALG ECATP 1m	1.0 m	2000-9131-0000-011	47,60 €
	ALG ECATP 2m	2.0 m	2000-9131-0000-021	51,44 €
	ALG ECATP 5m	5.0 m	2000-9131-0000-031	78,09 €

Interconnecting cable for EtherCATP	Type / WG02	Cable length	Item No.	Price
PUR cable, 4-pin, shielded, with two cable connectors (MB, EtherCATP coded)	VLG ECATP xx		shielded	
	VLG ECATP 0.5m	0.5 m	2000-9131-0000-041	70,61 €
	VLG ECATP 1m	1.0 m	2000-9131-0000-051	76,44 €
	VLG ECATP 2m	2.0 m	2000-9131-0000-061	88,29 €
	VLG ECATP 5m	5.0 m	2000-9131-0000-071	123,89 €



Optional services

Individual components / WGO1	Item No.	Price
FET	7100-0022-4000-000	56,20 €
KTY 81-210	7100-0022-0000-000	5,33 €
LM235Z (TCR = 10 mV/K; 2.73 V at 0°C), KP10	7100-0022-1000-000	8,56 €
NI1000 (according to DIN EN 43760, class B, TKR = 6180 ppm/K)	7100-0020-9000-000	10,19 €
NI1000TK5000 (according to DIN EN 43760, class B, TKR = 5000 ppm/K), LG-Ni 1000	7100-0021-0000-000	14,34 €
NTC 1,8 KOHM NTC 1.8 K	7100-0021-2000-000	12,51 €
NTC 10 KOHM PRECON NTC 10 K Precon	7100-0021-9000-000	6,54 €
NTC 20 KOHM NTC 20 K	7100-0021-6000-000	6,54 €
NTC 30 KOHM NTC 30 K	7100-0021-7000-000	6,54 €
NTC 50 KOHM NTC 50 K	7100-0021-8000-000	6,54 €
PT100 KLASSE B (according to DIN EN 60751, class B)	7100-0020-1000-000	7,86 €
PT100 1/2 DIN (according to DIN EN 60751, class B)	7100-0020-2000-000	10,45 €
PT100 1/3 DIN (according to DIN EN 60751, class B)	7100-0020-3000-000	12,16 €
PT1000 KLASSE B (according to DIN EN 60751, class B)	7100-0020-5000-000	10,62 €
PT1000 1/2 DIN (according to DIN EN 60751, class B)	7100-0020-6000-000	12,02 €
PT1000 1/3 DIN (according to DIN EN 60751, class B)	7100-0020-7000-000	13,98 €
PT1000 1/10 DIN (according to DIN EN 60751, class B)	7100-0020-8000-000	43,76 €
Note:	Other sensors on request.	

Optional services / WGO1	Unit	Price
Double sensor	plus 50 % of instrument price	
1 / 2 DIN (according to DIN EN 60751, class B)	Per piece	8,12 €
1 / 3 DIN (according to DIN EN 60751, class B)	Per piece	8,12 €
1 / 10 DIN (according to DIN EN 60751, class B)	Per piece	32,43 €
Connection type	4-wire connection with ceramic base, head form B	Per piece 6,75 €
	4-wire connection with circuit board, box head	Per piece 4,06 €
Protection class	IP 65 at head form B	Per piece 10,41 €
	IP 68 (Sensor sleeve watertight compound-filled) for cable sensors	Per piece 3,75 €



Custom-made products (for 25 or more pieces)		Unit	Price
Silicone-free sensor production		Per piece	on request!
Factory test certificate (per device)	1-point certificate	One-time cost	on request!
	2-point certificate	One-time cost	on request!
	3-point certificate	One-time cost	on request!
	Each additional test point	One-time cost	on request!
Custom-made products	Setup costs for custom-made products	One-time cost	on request!
Special paintwork	Set-up costs for special paintwork	one-off (net)	209,30 €
	plus costs for special paintwork	from 25 piece per piece	20,16 €
		from 50 piece per piece	14,66 €
Special print (with stereotype)	Set-up costs incl. stereotype production, 1 colour	one-off (net)	209,30 €
	Set-up costs incl. stereotype production, 2 colour	one-off (net)	320,48 €
	plus costs for special print	from 25 piece per piece / colour	12,70 €
		from 50 piece per piece / colour	8,57 €
		from 100 piece per piece / colour	6,89 €
		from 250 piece per piece / colour	5,23 €
	from 500 piece per piece / colour	2,62 €	
Printing customer logo on housing cover (for 200 covers of one housing series)	Setup costs for printing on housing cover	One-time cost	on request!
	Plus printing costs, 2-colour, printing on housing cover	Per piece	on request!
Labelling with customer logo	Setup costs for labelling	One-time cost	on request!
	Plus costs for labelling	Per piece	on request!

