

**Vane switch, mechanical, with paddle,
with switching output**

WFS

Mechanical wind vane switch **RHEASREG® WFS** with switching output, in an impact-resistant plastic housing, with stainless-steel paddle, for flow monitoring of gaseous, non-aggressive media.

The flow sensor is used as a flow controller or air flow monitor in air conditioning ducts, in air intake or exhaust devices of ventilators or electric heating registers (also for contaminated, oily air).

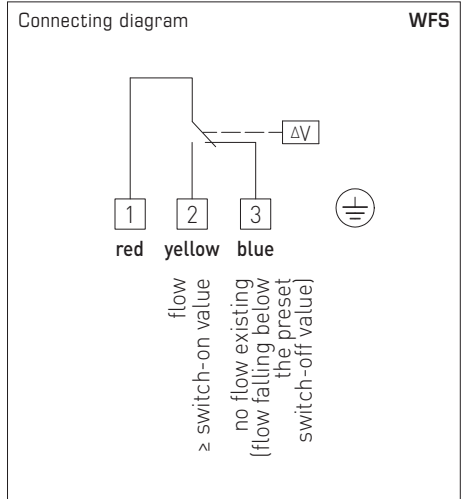


TECHNICAL DATA

Switching capacity: (Contact load)	15 (8) A; 24...250 V AC at 24 V AC min. 150 mA
Contact:	dustproof microswitch as single-pole, potential-free changeover contact
Housing:	plastic, UV-resistant, material polyamide, 30 % glass-globe reinforced, colour traffic white (similar to RAL 9016)
Housing dimensions:	108 x 70 x 73.5 mm (Thor2)
Base body:	galvanised steel
Moving arm:	brass
Vane:	stainless steel V2A (1.4301)
Cable connection:	cable gland , plastic (M20 x 1.5; with strain relief, exchangeable, inner diameter 8 - 13 mm)
Housing temperature:	-40...+85 °C
Operating difference:	≥ 1,5 m/s
Electrical connection:	0.14 - 1.5 mm ² , via screw terminals
Protection class:	I (according to EN 60 730)
Protection type:	IP 65 (according to EN 60 529)
Standards:	CE conformity, EMC directive 2014 / 30 / EU, low-voltage directive 2014 / 35 / EU

FUNCTION

Monitor:	Contact 1 - 3 breaks when flow rate drops to the preset value. Simultaneously, contact 1 - 2 closes and can be used as signal contact.
Assembly note:	the installation is only possible in horizontal air ducts. Make sure that there is a damping section (≥ 5 times the pipe diameter) before and after the installation location. For wind speeds > 5 m/s , cut the vane/paddle at the marked spots. This will result in an increase of the default values (see table).

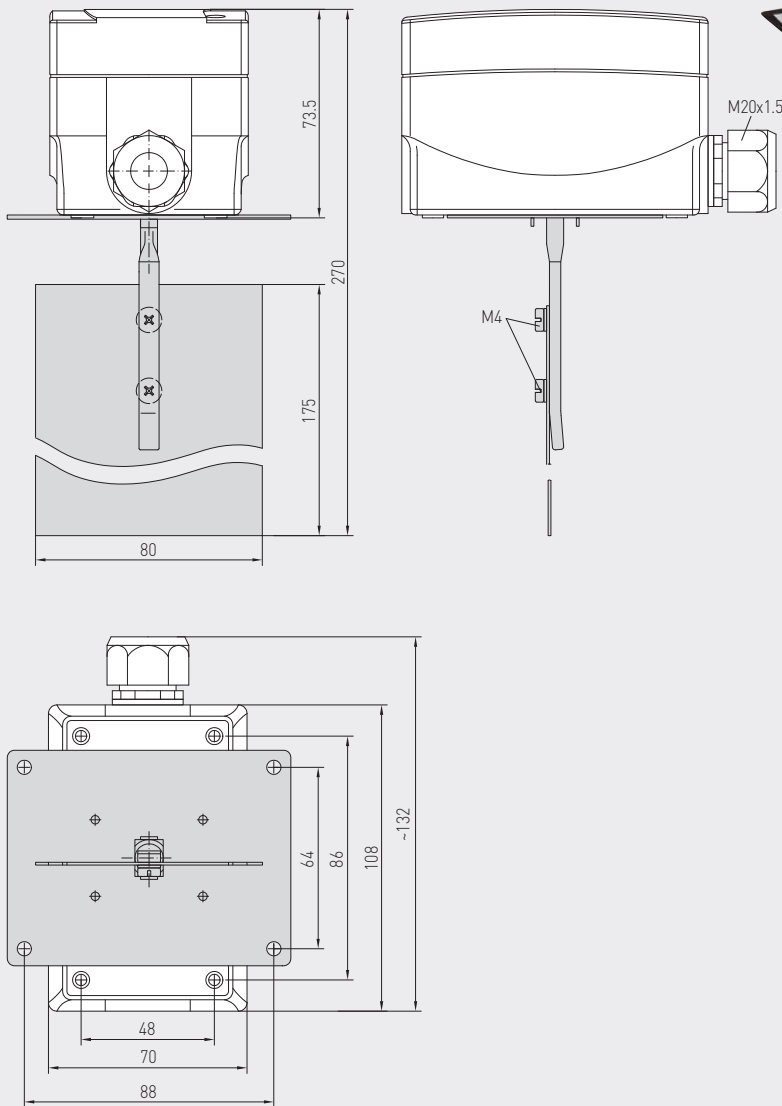




Dimensional drawing

WFS

WFS



RHEASREG® WFS Vane switch, mechanical, with paddle						
Type / WG01	Switch-on value [m/s]		Switch-off value [m/s]		Item No.	Price
	min.	max.	min.	max.		
WFS						
WFS-1E	2,5 (4,0)	9,2	1,0 (2,5)	8,0	1702-3020-0000-000	99,66 €
Note: Minimum values in brackets apply to wind speeds > 5 m/s						
Spare part						
PWFS-08	Spare paddle for WFS (Stainless steel vane)			7700-0010-2000-000	20,54 €	