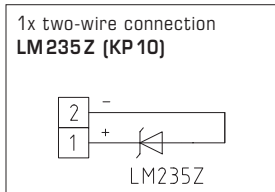
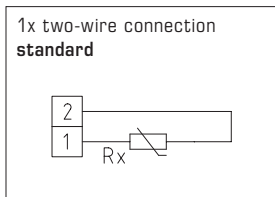
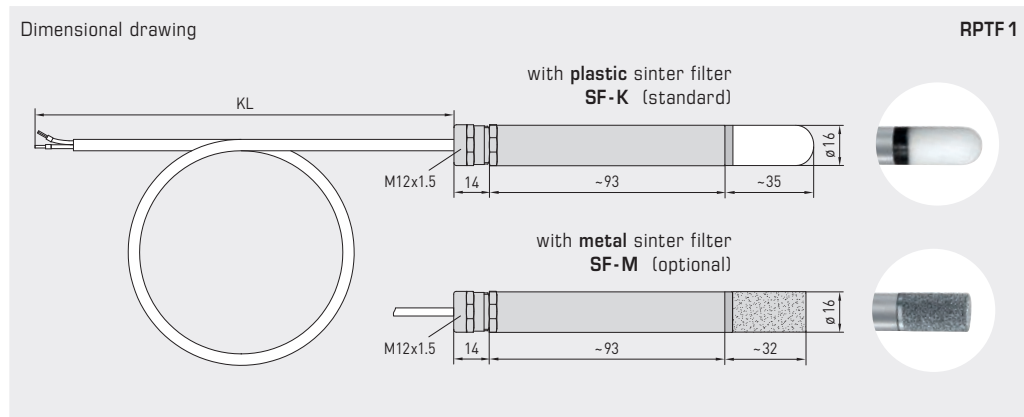
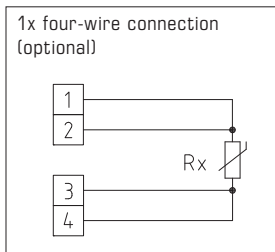
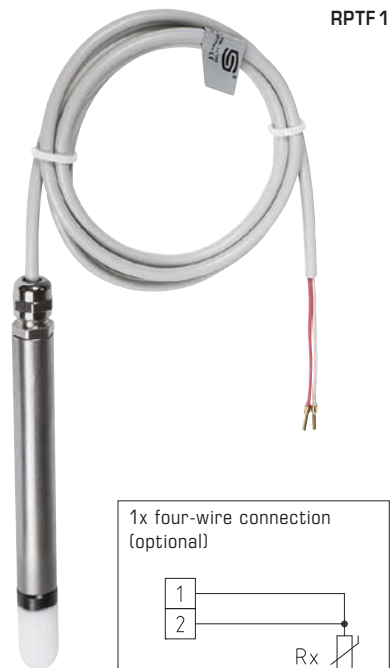


**Pendulum room temperature sensors
with passive output**

Resistance thermometer **THERMASGARD® RPTF 1** with passive output is specifically used for temperature detection in larger rooms and halls. Due to the measuring method employed by this pendulum room temperature sensor in combination with its positioning in the room, excellent and room-representative measuring results are achieved as ambient air of the room is steadily washing around the sensor.

TECHNICAL DATA

Measuring range:	-5...+60 °C
Sensors / output:	see table, passive (optional also with two sensors)
Sensor protection:	plastic sinter filter, Ø 16 mm, L = 35 mm, exchangeable (optional metal sinter filter, Ø 16 mm, L = 32 mm)
Connection type:	2-wire connection (4-wire connection optional)
Testing current:	< 0.6 mA (Pt1000) < 1.0 mA (Pt100) < 0.3 mA (Ni1000, Ni1000 TK5000) < 2.0 mW (NTC xx) 400 µA...5 mA (LM235Z)
Connection cable:	PVC, H03VV-F, 2 x 0.5 mm ² , ends stripped with wire end sleeves KL = approx. 1.5 m (other lengths optional)
Protective tube:	stainless steel V2A (1.4301), Ø=16 mm, NL = 142 mm
Insulating resistance:	≥ 100 MΩ, at +20 °C (500 V DC)
Humidity:	< 95 % RH
Protection class:	III (according to EN 60 730)
Protection type:	IP 65 (according to EN 60 529)



THERMASGARD® RPTF 1 Pendulum room temperature sensors (with metal sleeve)

Type / WG03	Sensor / Output	Item No.	Price
RPTF 1		IP 65	
RPTF1 Pt100 PVC 1,5M	Pt100 (according to DIN EN 60 751, class B)	1101-6060-1211-010	64,75 €
RPTF1 Pt1000 PVC 1,5M	Pt1000 (according to DIN EN 60 751, class B)	1101-6060-5211-010	68,13 €
RPTF1 Ni1000 PVC 1,5M	Ni1000 (according to DIN EN 43 760, class B, TCR = 6180 ppm / K)	1101-6060-9211-010	66,99 €
RPTF1 NiTK PVC 1,5M	Ni1000 TK5000 (TCR = 5000 ppm / K), LG- Ni1000	1101-6061-0211-010	71,21 €
RPTF1 LM235Z PVC 1,5M	LM235Z (TCR = 10 mV / K; 2.73 V at 0 °C), KP10	1101-6062-1211-110	64,90 €
RPTF1 NTC1,8K PVC 1,5M	NTC 1.8K	1101-6061-2211-010	70,95 €
RPTF1 NTC10K PVC 1,5M	NTC 10K	1101-6061-5211-010	70,95 €
RPTF1 NTC20K PVC 1,5M	NTC 20K	1101-6061-6211-010	70,95 €

ACCESSORIES

SF-M	Metal sinter filter, Ø 16 mm, L = 32 mm, exchangeable stainless steel V4A (1.4404)	7000-0050-2200-100	46,70 €
Extra charge:	2-wire connecting leads, per running meter (PVC) 4-wire connecting leads, per running meter (PVC)		on request on request
For special orders please specify:	Type, sensor type and cable length e.g. RPTF1 Pt100, 3m; RPTF1 Pt1000, 4m; RPTF1 KTY 81-210, 6m		