

Pressure, differential pressure and volume flow measuring transducers, including connection set, compact form, adjustable, calibratable, with multi-range switching and active output

The calibrateable compact pressure sensors of the **PREMASGARD® 211x/212x/212x-SD** series are equipped with 8 switchable measuring ranges, 2 switchable output signals (16 devices in one) and with or without optional display and are used for measuring above-atmospheric, below-atmospheric, or differential pressures and Volume flow in air. The piezo-resistive measuring element is temperature-compensated and guarantees a high degree of reliability and accuracy. These pressure transmitters have a pushbutton for manual zero point calibration and an adjustable offset. Applications of these pressure sensors are in clean room, medical and filter technology, in ventilation and air conditioning ducts, in spray booths, in large-scale catering facilities, for monitoring filters, for level measurement or for triggering frequency converters. Media measured with these pressure transducers are air (non-precipitating), or other gaseous non-aggressive, non-combustible media. The differential pressure sensor is supplied including connection set **ASD-06** (2 m connection hose, two pressure connection nipples, screws). You can find further device types under **PREMASGARD® 111x/112x/112x-SD** (I variant with 2-wire connection).

PREMASGARD® 211x
Pressure connectors
on the top side,
with quick-locking screws
(IP 67)



PREMASGARD® 212x
Pressure connectors
on the bottom side,
with quick-locking screws
(IP 67)



PREMASGARD® 212x-SD
Pressure connectors
on the bottom side,
with snap-on lid
(IP 54)



TECHNICAL DATA

Power supply:	24 V AC/DC (± 10 %)
Working resistance:	R ₀ (Ohm) = 25 ... 450 Ohm for I variant
Load resistance:	R _L > 25 kOhm for U variant
Power consumption:	< 1 W at 24 V DC; < 2 VA at 24 V AC
Current consumption:	< 45 mA
Measuring function:	Differential pressure, volume flow (square root output signal)
Measuring ranges:	multi-range switching with 8 switchable measuring ranges (see table)
Output:	switchable 0-10V / 4...20 mA (via DIP switches)
Electrical connection:	3-wire connection
Media temperature:	-20...+50 °C (temperature-compensated 0...+50 °C)
Pressure connection:	with connection nozzles for pressure hose Ø 6 mm
Type of pressure:	differential pressure
Medium:	clean air and other non-aggressive, non-combustible gases
Media contacting parts:	PA6, Duroplast, Si, epoxy, RTV, BSG, UV silicone gel
Accuracy:	Type 2110/2120/2120-SD (100 Pa): typically ± 3 Pa at +25 °C Type 2111/2121/2121-SD (1000 Pa): typically ± 10 Pa at +25 °C Type 2115/2125/2125-SD (5000 Pa): typically ± 35 Pa at +25 °C Type 2116/2126 (10 000 Pa): typically ± 50 Pa at +25 °C compared to the calibrated reference device
Zero point offset:	± 10 % of final value
Above- / below-atmospheric pressure:	± 50 kPa
Long-term stability:	± 1 % per year
Signal filtering:	switchable 1 s / 10 s (via DIP switches)
Hysteresis:	0.3 % of final value
Temperature drift values:	± 0.1 % of final value / °C
Linearity:	< ± 1 % of final value
Housing:	plastic, UV-resistant, material polyamide, 30 % glass-globe reinforced, colour traffic white (similar to RAL 9016), housing cover for display is transparent! Type 211x/212x: with quick-locking screws (slotted/Phillips head combination) Type 212x-SD: with snap-on lid
Housing dimensions:	72 x 64 x 37.8 mm (Tyr 1 without display) 72 x 64 x 43.3 mm (Tyr 1 with display)
Cable connection:	cable gland , plastic (M 16 x 1.5; with strain relief, exchangeable, max. inner diameter 10.4 mm) or M12 connector according to DIN EN 61076-2-101 (optional on request)
Electrical connection:	0.14 - 1.5 mm ² , via terminal screws
Humidity:	< 95 % RH, non-precipitating air
Protection class:	III (according to EN 60 730)
Protection type:	Type 211x/212x: IP 67 (according to EN 60 529)* Housing tested, TÜV SÜD, Report No. 713139052 (Tyr 1) Type 212x-SD: IP 54 (according to EN 60 529)* Housing tested, TÜV SÜD, Report No. 713160960A (Tyr 01) * Housing in the built-in state
Standards:	CE conformity according to EMC directive 2014 / 30 / EU
Features:	two-line display with illumination , cutout approx. 36 x 15 mm (W x H), to display ACTUAL pressure
ACCESSORIES	see table



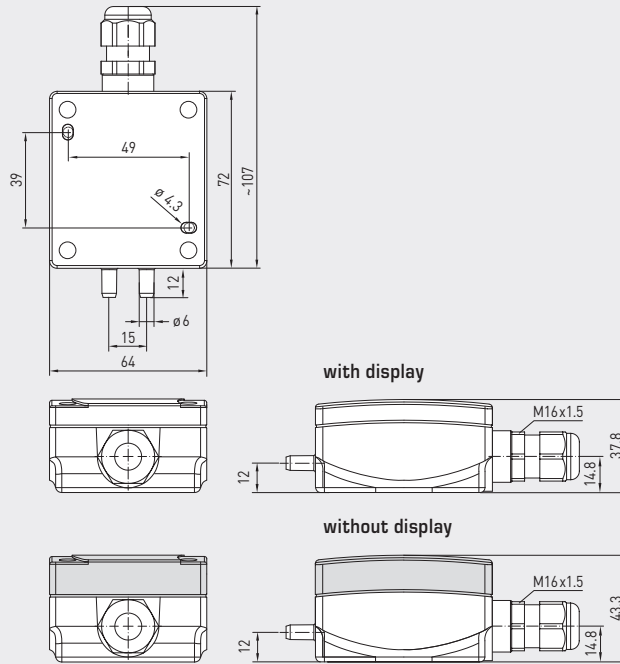
S+S REGELTECHNIK

Pressure, differential pressure and volume flow measuring transducers, including connection set, compact form, adjustable, calibratable, with multi-range switching and active output



Dimensional drawing

PREMASGARD® 211x

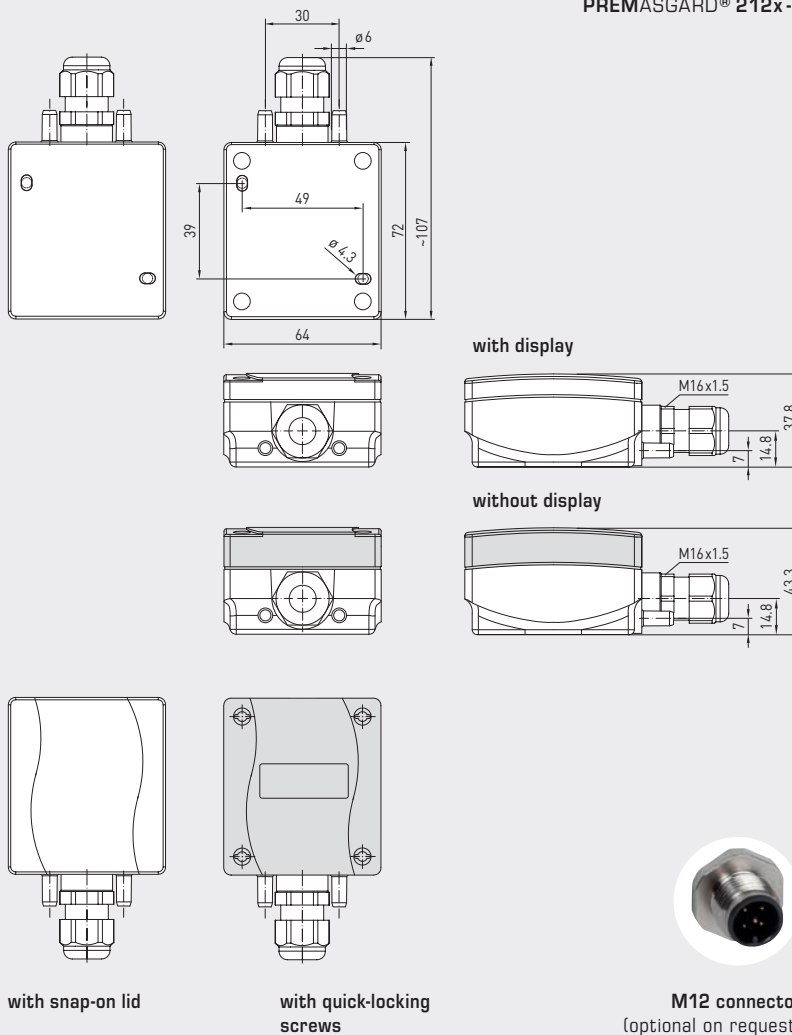


PREMASGARD® 211x
Pressure connectors
on the top side,
with display,
with quick-locking screws
(IP67)



Dimensional drawing

PREMASGARD® 212x
PREMASGARD® 212x-SD



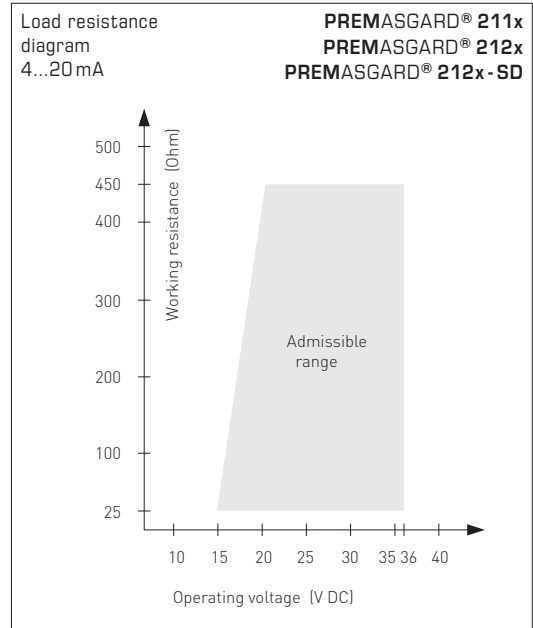
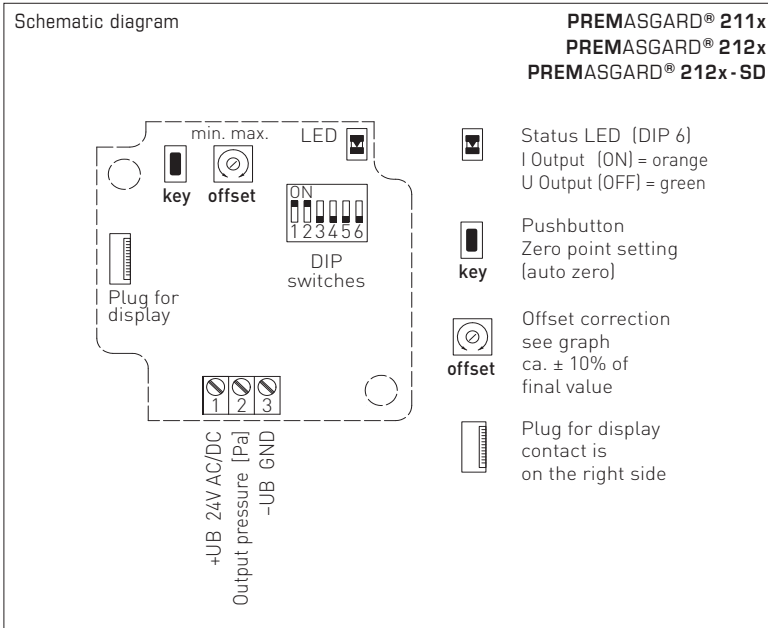
PREMASGARD® 212x
Pressure connectors
on the bottom side,
with display,
with quick-locking screws
(IP67)



PREMASGARD® 212x-SD
Pressure connectors
on the bottom side,
with display,
with snap-on lid
(IP54)



Pressure, differential pressure and volume flow measuring transducers, including connection set, compact form, adjustable, calibratable, with multi-range switching and active output



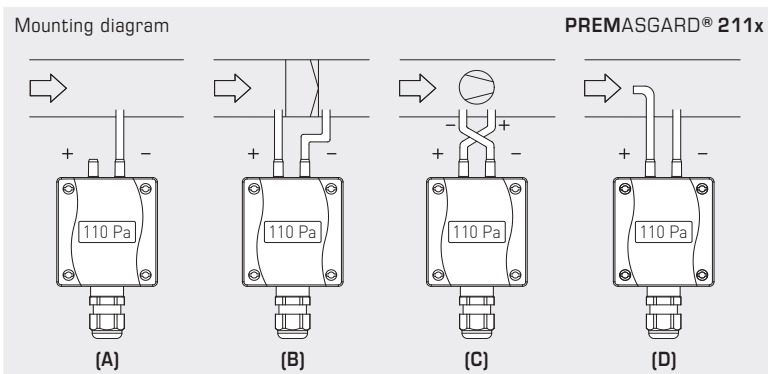
Pressure range								DIP 1	DIP 2
max. measuring range (default) is depending to the type of device									
0...50 Pa	0...100 Pa	0...1000 Pa	0...4000 Pa	-50...+50 Pa	-100...+100 Pa	-1000...+1000 Pa	-4000...+4000 Pa	OFF	OFF
-	0...300 Pa	0...2000 Pa	0...6000 Pa	-	-300...+300 Pa	-2000...+2000 Pa	-6000...+6000 Pa	ON	OFF
-	0...500 Pa	0...3000 Pa	0...8000 Pa	-	-500...+500 Pa	-3000...+3000 Pa	-8000...+8000 Pa	OFF	ON
0...100 Pa	0...1000 Pa	0...5000 Pa	0...10000 Pa	-100...+100 Pa	-1000...+1000 Pa	-5000...+5000 Pa	-10000...+10000 Pa	ON	ON

Measuring range (Mode)	DIP 3
Unidirectional (default) (0...+MR)	OFF
Bidirectional (-MR...+MR)	ON

Output characteristic line (Mode)	DIP 4
linear (default) for pressure detection	OFF
Square root extracting to determine the volume flow	ON

Measurement signal filtering	DIP 5
10s (default) interval	OFF
1s interval	ON

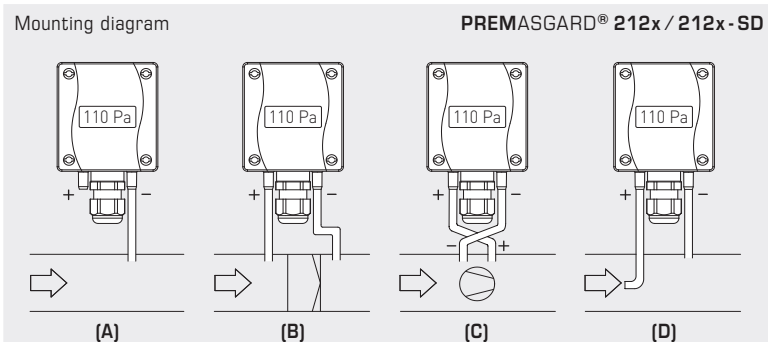
Output (standard signal)	DIP 6
Voltage 0-10V (default)	OFF
Current 4...20 mA	ON



TYPES OF MONITORING:

Pressure connections at the pressure switch are marked with P1 (+) for higher pressure and P2 (-) for lower pressure.

- (A) Below-atmospheric pressure**
P1 (+) is not connected, but open to the atmosphere
P2 (-) connected to inside of duct
- (B) Filter**
P1 (+) connected upstream of filter
P2 (-) connected downstream of filter
- (C) Ventilator**
P1 (+) connected downstream of ventilator
P2 (-) connected upstream of ventilator
- (D) Volume flow**
P1 (+) dynamic pressure, connected in flow direction
P2 (-) static pressure, connected free of dynamic pressure components



$$V = k \cdot \sqrt{\Delta p}$$

V = Volume flow

k = K factor

Δp = Differential pressure [Pa]



S+S REGELTECHNIK

Pressure, differential pressure and volume flow measuring transducers, including connection set, compact form, adjustable, calibratable, with multi-range switching and active output

PREMAGARD® 211x
Pressure connectors
on the top side,
with display



PREMAGARD® 212x
Pressure connectors
on the bottom side,
with display



WS-04
Weather and sun protection hood
(optional)

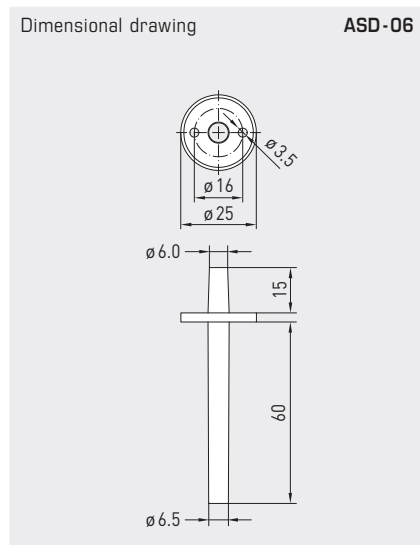


Conversion table for pressure values:

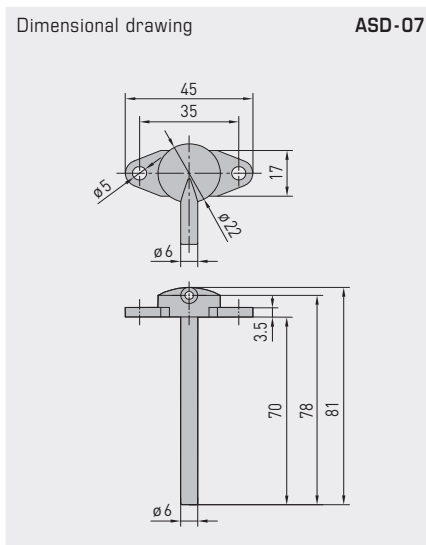
Unit =	bar	mbar	Pa	kPa	mWS
1 Pa	0.00001 bar	0.01 mbar	1 Pa	0.001 kPa	0.000101971 mWS
1 kPa	0.01 bar	10 mbar	1000 Pa	1 kPa	0.101971 mWS
1 bar	1 bar	1000 mbar	100000 Pa	100 kPa	10.1971 mWS
1 mbar	0.001 bar	1 mbar	100 Pa	0.1 kPa	0.0101971 mWS
1 mWS	0.0980665 bar	98.0665 mbar	9806.65 Pa	9.80665 kPa	1 mWS



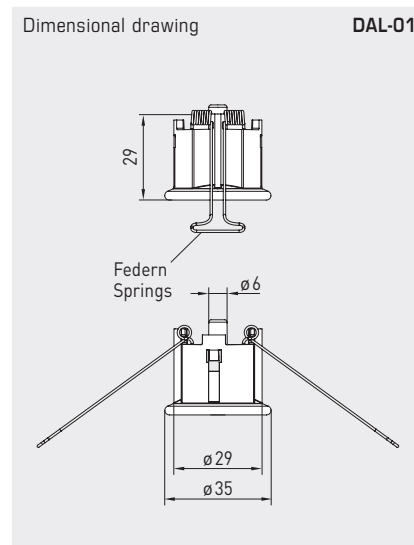
Pressure, differential pressure and volume flow measuring transducers, including connection set, compact form, adjustable, calibratable, with multi-range switching and active output



ASD-06
Connection set



ASD-07
Connection nipple



DAL-01
Pressure outlet



ACCESSORIES		Item No.	Price
ASD-06	Connection set (included in the scope of delivery) , consisting of 2 connection nipples (straight) made of ABS, 2 m PVC hose (soft, UV-resistant) and 4 screws	7100-0060-3000-000	8,43 €
ASD-07	2 connection nipples (at 90 degree angle) made of plastic, ABS	7100-0060-7000-000	8,43 €
DAL-01	Pressure outlet for ceiling or in-wall installation (e.g. in clean rooms)	7300-0060-3000-001	39,46 €
WS-04	Weather and sun protection hood , 130 x 180 x 135 mm, stainless steel V2A (1.4301)	7100-0040-7000-000	41,35 €

For further information, see last chapter Accessories!

PREMASGARD® 212x-SD		Pressure, differential pressure and volume flow measuring transducers, <i>Standard</i> (Pressure connectors on the bottom side)			
Pressure range (Ranges adjustable)	Type / WGO1B (3-wire connection)	Output (switchable)	Display	Item No. (with snap-on lid)	Price
max. - 1000...+ 1000 Pa	Type 2121-SD			IP 54	
0... 100 Pa / - 100...+ 100 Pa	PREMASGARD 2121-SD	0-10V / 4...20mA		1301-11B7-0010-000	150,59 €
0... 300 Pa / - 300...+ 300 Pa	PREMASGARD 2121-SD LCD	0-10V / 4...20mA	■	1301-11B7-2010-000	204,19 €
0... 500 Pa / - 500...+ 500 Pa					
0... 1000 Pa / -1000...+ 1000 Pa					
max. - 5000...+ 5000 Pa	Type 2125-SD			IP 54	
0...1000 Pa / -1000...+1000 Pa	PREMASGARD 2125-SD	0-10V / 4...20mA		1301-11B7-0050-000	150,59 €
0...2000 Pa / -2000...+2000 Pa	PREMASGARD 2125-SD LCD	0-10V / 4...20mA	■	1301-11B7-2050-000	204,19 €
0...3000 Pa / -3000...+3000 Pa					
0...5000 Pa / -5000...+5000 Pa					
max. - 100...+ 100 Pa	Type 2120-SD			IP 54	
0... 50 Pa / - 50...+ 50 Pa	PREMASGARD 2120-SD	0-10V / 4...20mA		1301-11B7-0110-000	150,59 €
0... 100 Pa / -100...+ 100 Pa	PREMASGARD 2120-SD LCD	0-10V / 4...20mA	■	1301-11B7-2110-000	204,19 €
Multi-range switching:		The pressure ranges depend on the device type and can be set via DIP switches.			
Output / Connection:		0-10V or 4...20mA (selectable via DIP switches) / 3-wire connection			
Optional:		Cable connection with M12 connector according to DIN EN 61076-2-101 (on request)			



S+S REGELTECHNIK

PREMASGARD® 211x/212x/212x-SD

Pressure, differential pressure and volume flow measuring transducers, including connection set, compact form, adjustable, calibratable, with multi-range switching and active output



PREMASGARD® 211x		Pressure, differential pressure and volume flow measuring transducers, <i>Premium</i> (Pressure connectors on the top side)			
Pressure range (Ranges adjustable)	Type / WG01 (3-wire connection)	Output (switchable)	Display	Item No. (with quick-locking screws)	Price
max. - 1000...+ 1000 Pa		Type 2111		IP 67	
0... 100 Pa / - 100...+ 100 Pa	PREMASGARD 2111	0-10V / 4...20 mA		1301-1197-0010-000	167,83 €
0... 300 Pa / - 300...+ 300 Pa	PREMASGARD 2111 LCD	0-10V / 4...20 mA	■	1301-1197-2010-000	223,69 €
0... 500 Pa / - 500...+ 500 Pa					
0... 1000 Pa / - 1000...+ 1000 Pa					
max. - 5000...+ 5000 Pa		Type 2115		IP 67	
0...1000 Pa / - 1000...+ 1000 Pa	PREMASGARD 2115	0-10V / 4...20 mA		1301-1197-0050-000	167,83 €
0...2000 Pa / - 2000...+ 2000 Pa	PREMASGARD 2115 LCD	0-10V / 4...20 mA	■	1301-1197-2050-000	223,69 €
0...3000 Pa / - 3000...+ 3000 Pa					
0...5000 Pa / - 5000...+ 5000 Pa					
max. - 10000...+ 10000 Pa		Type 2116		IP 67	
0... 4000 Pa / - 4000...+ 4000 Pa	PREMASGARD 2116	0-10V / 4...20 mA		1301-1197-0060-000	190,55 €
0... 6000 Pa / - 6000...+ 6000 Pa	PREMASGARD 2116 LCD	0-10V / 4...20 mA	■	1301-1197-2060-000	246,41 €
0... 8000 Pa / - 8000...+ 8000 Pa					
0...10000 Pa / - 10000...+ 10000 Pa					
max. - 100...+ 100 Pa		Type 2110		IP 67	
0... 50 Pa / - 50...+ 50 Pa	PREMASGARD 2110	0-10V / 4...20 mA		1301-1197-0110-000	167,83 €
0... 100 Pa / - 100...+ 100 Pa	PREMASGARD 2110 LCD	0-10V / 4...20 mA	■	1301-1197-2110-000	223,69 €
Multi-range switching:		The pressure ranges depend on the device type and can be set via DIP switches.			
Output / Connection:		0-10V or 4...20mA (selectable via DIP switches) / 3-wire connection			
Optional:		Cable connection with M12 connector according to DIN EN 61076-2-101 (on request)			

PREMASGARD® 212x		Pressure, differential pressure and volume flow measuring transducers, <i>Premium</i> (Pressure connectors on the bottom side)			
Pressure range (Ranges adjustable)	Type / WG01 (3-wire connection)	Output (switchable)	Display	Item No. (with quick-locking screws)	Price
max. - 1000...+ 1000 Pa		Type 2121		IP 67	
0... 100 Pa / - 100...+ 100 Pa	PREMASGARD 2121	0-10V / 4...20 mA		1301-11A7-0010-000	167,83 €
0... 300 Pa / - 300...+ 300 Pa	PREMASGARD 2121 LCD	0-10V / 4...20 mA	■	1301-11A7-2010-000	223,69 €
0... 500 Pa / - 500...+ 500 Pa					
0... 1000 Pa / - 1000...+ 1000 Pa					
max. - 5000...+ 5000 Pa		Type 2125		IP 67	
0...1000 Pa / - 1000...+ 1000 Pa	PREMASGARD 2125	0-10V / 4...20 mA		1301-11A7-0050-000	167,83 €
0...2000 Pa / - 2000...+ 2000 Pa	PREMASGARD 2125 LCD	0-10V / 4...20 mA	■	1301-11A7-2050-000	223,69 €
0...3000 Pa / - 3000...+ 3000 Pa					
0...5000 Pa / - 5000...+ 5000 Pa					
max. - 10000...+ 10000 Pa		Type 2126		IP 67	
0... 4000 Pa / - 4000...+ 4000 Pa	PREMASGARD 2126	0-10V / 4...20 mA		1301-11A7-0060-000	190,55 €
0... 6000 Pa / - 6000...+ 6000 Pa	PREMASGARD 2126 LCD	0-10V / 4...20 mA	■	1301-11A7-2060-000	246,41 €
0... 8000 Pa / - 8000...+ 8000 Pa					
0...10000 Pa / - 10000...+ 10000 Pa					
max. - 100...+ 100 Pa		Type 2120		IP 67	
0... 50 Pa / - 50...+ 50 Pa	PREMASGARD 2120	0-10V / 4...20 mA		1301-11A7-0110-000	167,83 €
0... 100 Pa / - 100...+ 100 Pa	PREMASGARD 2120 LCD	0-10V / 4...20 mA	■	1301-11A7-2110-000	223,69 €
Multi-range switching:		The pressure ranges depend on the device type and can be set via DIP switches.			
Output / Connection:		0-10V or 4...20mA (selectable via DIP switches) / 3-wire connection			
Optional:		Cable connection with M12 connector according to DIN EN 61076-2-101 (on request)			