

Display module for pressure transmitter SHD / SHD-SD / SHD 692
with DIN EN 175301-803-A connector, configurable, rotatable and tiltable,
for active output (0-10V) to Modbus (RTU)

The display module **LCD-SHD-Modbus** has been specially designed for the pressure transmitter **PREMASGARD® SHD / SHD-SD / SHD 692** and DIN EN 175301-803-A connector. The display can be mechanically rotated and tilted, and the display content can be rotated in increments of 90° to achieve the ideal reading position. In addition to the actual pressure, it can display the min/max measured values or alternatively the output signal of the sensor.

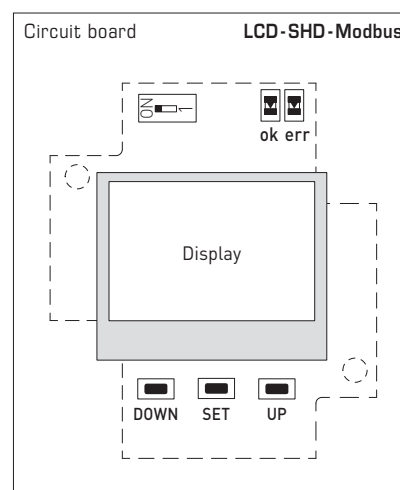
The configured display unit converts the standard signal (0-10V) of the pressure measuring transducer into a Modbus signal (RTU) and calculates the pressure in the selected unit for the display indicator. The following parameters can be set: Measuring range of the sensor, physical unit (bar / kPa / psi / inWC / mWC / atm), interval of the min/max values (1h / 6h / 12h / 24h / ∞), number of values for averaging, display mode, direction of the display content, contrast and backlight. The unit is configured using micro button switches on the circuit board inside the housing.

SHD-Modbus-xx-LCD
Pressure transmitter
with display module



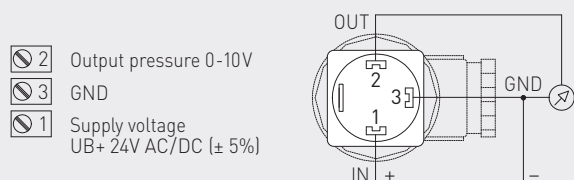
TECHNICAL DATA

Power supply:	24V AC/DC (± 5%)
Power consumption:	< 1 W
Input:	0-10V , 3-wire connection
Output:	Modbus (RTU cable), 4-wire connection Standard signals of the sensor are converted, Display values are calculated.
Bus interface:	RS 485, galvanically isolated, bus termination can be activated via DIP switch. Up to 32 units possible on one segment, RS 485 transceivers must be used for larger numbers.
Baudrate:	2400, 9600 (default), 19200, 38400 baud
Bus protocol:	Modbus (RTU mode), address range 1... 247 adjustable
Signal filtering:	1 - 10 s
Measuring range:	sensor-dependent The measuring range and output unit are configured via the menu.
Accuracy:	typically < 0.2% final value
Temperature dependence:	typically < 0.01% final value/K
Pressure type:	relative pressure, differential pressure
System of units:	SI and imperial
Display content:	pressure [bar] [kPa] [psi] [inWC] [mWC] [atm], voltage [V] or current [mA]
LCD display:	with backlight, cut-out approx. 28 x 16 mm (W x H), configurable, to display the actual pressure, min/max pressure or output signal of the sensor
Display housing:	plastic, flame retarding (UL 94 V-0), PC/ABS material, black colour (similar to RAL 9004), housing cover for display is transparent, with quick-locking screws (slotted/Phillips head combination), rotatable and tiltable, dimensions: approx. 72 x 64 x 43.3 mm
Adapter housing:	plastic, flame retarding (UL 94 V-0), PC/ABS material, black colour (similar to RAL 9004), dimensions: approx. 102 mm, Ø 40 mm
Electrical connection:	via connector DIN EN 175301-803-A
Installation:	simple plug-in assembly, fastened via screw extension (included in the scope of delivery)
Ambient temperature:	storage -20...+75 °C; operation 0...+60 °C
Protection class:	III (according to EN 60 730)
Protection type:	IP 65 (according to EN 60 529)
Standards:	CE conformity according to EMC Directive 2014 / 30 / EU
Compatibility:	pressure measuring transducer type SHD / SHD-SD / SHD 692 (U variant), other manufacturers on request



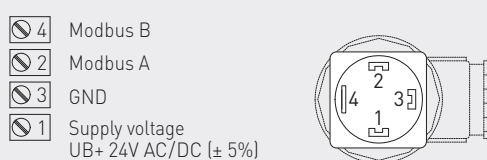
Pressure transmitter connection diagram

SHDxx-U



Display module connection diagram

LCD-SHD-Modbus





NEW

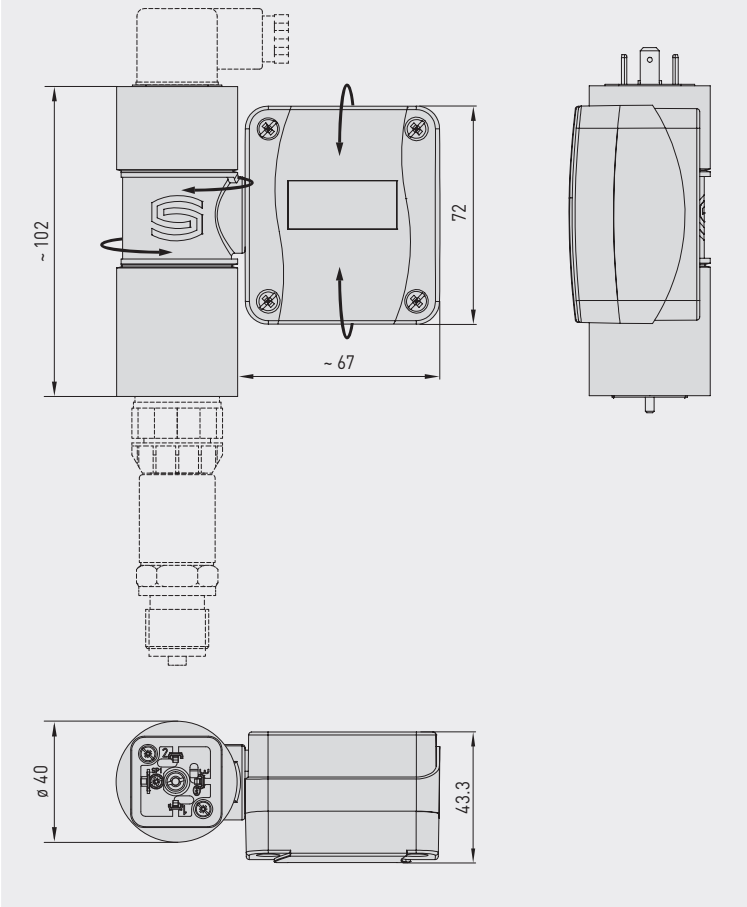
S+S REGELTECHNIK

PREMASGARD® LCD-SHD-Modbus

Display module for pressure transmitter SHD / SHD-SD / SHD 692 with DIN EN 175301-803-A connector, configurable, rotatable and tiltable, for active output (0-10 V) to Modbus (RTU)

Dimensional drawing [mm]

LCD-SHD-Modbus



LCD-SHD-Modbus
Display module with connector
DIN EN 175301-803-A



PREMASGARD® LCD-SHD-Modbus Display module for active pressure transmitters with DIN EN 175301-803-A connectors, for active output (0-10 V) to Modbus (RTU)

Type / WG02	Compatibility with unit type	Input	Output	Display	Item no. (without SHD)	Price
LCD-SHD-Modbus					Modbus variant	
LCD-SHD-Modbus	SHD-U SHD-SD-U SHD-692-U	0-10V	Modbus RTU	■	1301-5114-5000-200	208,88 €

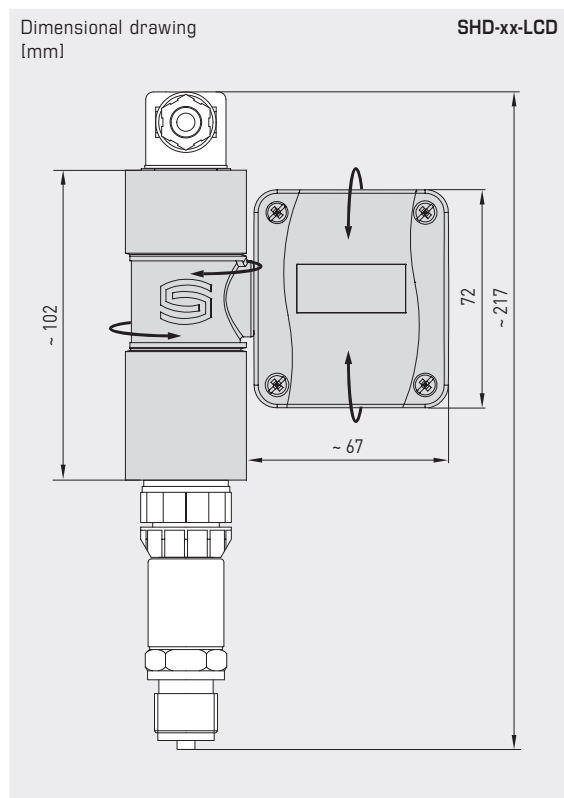
The display module converts the standard 0-10 V signal into a Modbus signal. Additional device version with active output available (see chapter 'Pressure')!

Note Backlight for U variant (3-wire connection) can be optionally configured. Compatibility with pressure transmitters from other manufacturers possible upon request.



Pressure measuring transducer, incl. DIN connector,
with display module for active output (0-10 V) to Modbus (RTU)

SHD-xx-LCD
Pressure transmitter
with display module



PREMASGARD® SHD-Modbus		Pressure measuring transducer for gaseous and liquid media, for active output (0-10 V) to Modbus (RTU)			
Measuring range	Type / WG01	Output	Display	Item no. (SHD+Display)	Price
	SHD-SD-Modbus			Modbus variant	
0... 6 bar	SHD-SD-Modbus 6 LCD	Modbus RTU	■	1301-2224-5550-221	384,29 €
0... 10 bar	SHD-SD-Modbus 10 LCD	Modbus RTU	■	1301-2224-5560-221	384,29 €
0... 16 bar	SHD-SD-Modbus 16 LCD	Modbus RTU	■	1301-2224-5570-221	384,29 €
	SHD-Modbus			Modbus variant	
0... 1 bar	SHD-Modbus 1 LCD	Modbus RTU	■	1301-2214-5520-221	477,69 €
0... 2,5 bar	SHD-Modbus 2,5 LCD	Modbus RTU	■	1301-2214-5530-221	477,69 €
0... 6 bar	SHD-Modbus 6 LCD	Modbus RTU	■	1301-2214-5550-221	412,38 €
0... 10 bar	SHD-Modbus 10 LCD	Modbus RTU	■	1301-2214-5560-221	412,38 €
0... 16 bar	SHD-Modbus 16 LCD	Modbus RTU	■	1301-2214-5570-221	412,38 €
0... 25 bar	SHD-Modbus 25 LCD	Modbus RTU	■	1301-2214-5580-221	477,69 €
0... 40 bar	SHD-Modbus 40 LCD	Modbus RTU	■	1301-2214-5590-221	477,69 €
The display module converts the standard 0-10 V signal into a Modbus signal. The SHD-U device version is supplied with an LCD-SHD-Modbus display module. For technical details on the pressure transmitter, see chapter 'Pressure'!					
Note	Not suitable for ammonia and freon!				

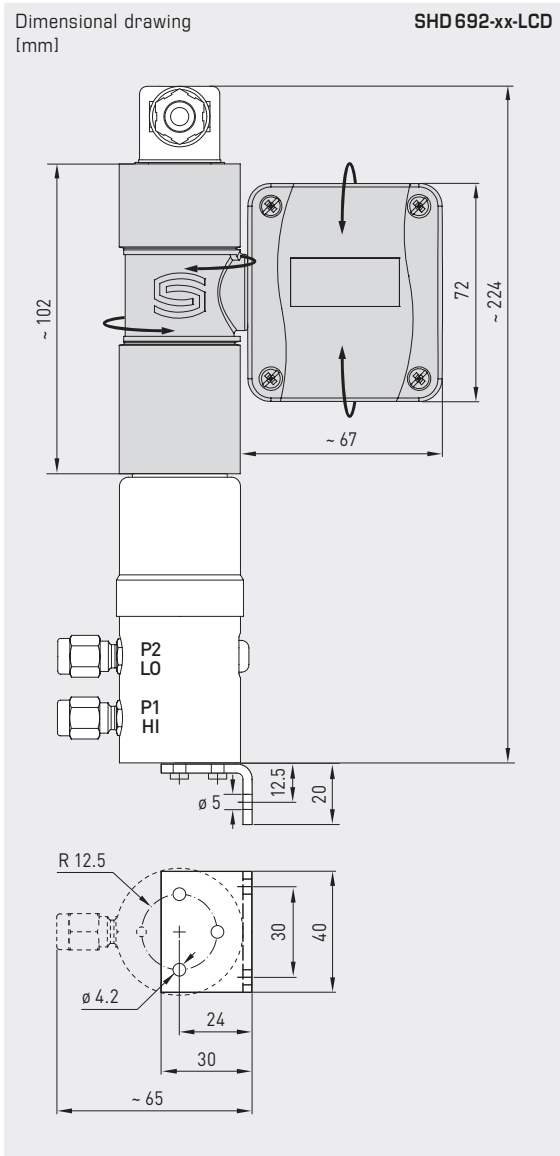


NEW

S+S REGELTECHNIK

PREMASGARD® SHD 692-Modbus

Pressure measuring transducer, incl. DIN connector and mounting bracket, with display module for active output (0-10 V) to Modbus (RTU)



SHD 692-xx-LCD
Pressure transmitter
with display module



PREMASGARD®
SHD 692-Modbus

Pressure measuring transducer for gaseous and liquid media,
for active output (0-10 V) to Modbus (RTU)

Measuring range	One-sided max. pressure	Type / WG02	Output	Display	Item no. (SHD+Display)	Price
SHD 692-Modbus					Modbus variant	
0...0,1 bar	0,6 bar	SHD 692-Modbus-900-LCD	Modbus RTU	■	1301-4224-5500-201	630,28 €
0...0,5 bar	3 bar	SHD 692-Modbus-907-LCD	Modbus RTU	■	1301-4224-5510-201	630,28 €
0... 1 bar	5 bar	SHD 692-Modbus-912-LCD	Modbus RTU	■	1301-4224-5520-201	630,28 €
0...2,5 bar	12 bar	SHD 692-Modbus-916-LCD	Modbus RTU	■	1301-4224-5530-201	630,28 €
0... 4 bar	12 bar	SHD 692-Modbus-918-LCD	Modbus RTU	■	1301-4224-5540-201	630,28 €
0... 6 bar	12 bar	SHD 692-Modbus-919-LCD	Modbus RTU	■	1301-4224-5550-201	630,28 €
0... 10 bar	20 bar	SHD 692-Modbus-930-LCD	Modbus RTU	■	1301-4224-5560-201	630,28 €

The display module converts the standard 0-10 V signal into a Modbus signal.
The SHD-U device version is supplied with an LCD-SHD-Modbus display module.
For technical details on the pressure transmitter, see chapter 'Pressure'!

Note Not suitable for ammonia and freon!