

Duct hygrostats including mounting flange, mechanical, one-step, with switching output

Mechanical duct hygrostat **HYGRASREG® KH-10** with switching output as one-step hygrostat. It works without external voltage and is used for controlling and monitoring the relative humidity in ventilation and air conditioning ducts, laboratories, production facilities, climatic test cabinets, indoor swimming pools, greenhouses, etc. to control humidifying and dehumidifying equipment, as minimum guard, or maximum hygrostat. KH-10 is applied in dust-free, pollutant-free, non-aggressive air.

KH-10-U
(with internal setting)

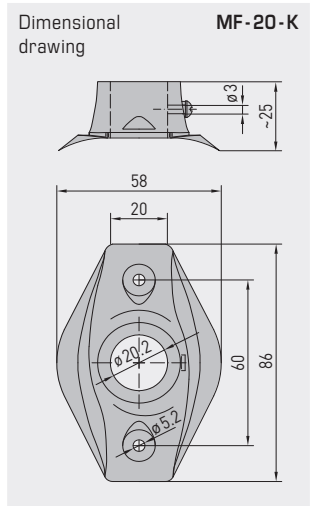
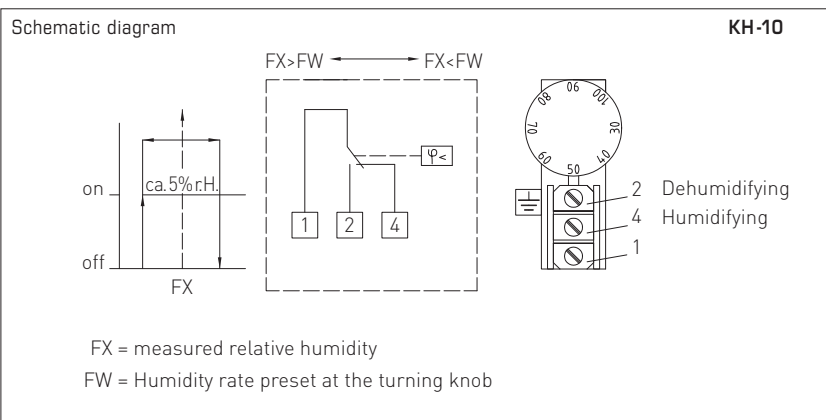


TECHNICAL DATA

Switching capacity: (Contact load)	15 (2) A; 24...250 V AC, min. 100 mA > 24 V in dry rooms only according to VDE 0110
Setting range:	35...100 % RH
Contact:	dust-proof microswitch as single-pole, potential-free changeover contact (gold-plated optional)
Housing:	plastic, UV-resistant, material polyamide, 30% glass-globe reinforced, colour traffic white (similar to RAL 9016)
Housing dimensions:	108 x 70 x 73.5 mm (Thor2)
Cable connection:	cable gland , plastic (M20 x 1.5; with strain relief, exchangeable, inner diameter 8 - 13 mm)
Ambient temperature:	0...+60 °C
Operating difference:	approx. 3...6 % RH
Measuring accuracy:	typically ± 4 % RH
Controlled medium:	air, unpressurised, non-aggressive
Average temperature coefficient:	0.2% / K; at +20 °C and 50 % RH
Flow rate:	max. 8 m / s
Sensor sleeve:	made of brass nickel-plated, Ø 20 mm, NL = 223 mm
Electrical connection:	0.14 - 1.5 mm ² , via terminal screws
Protection class:	I (according to EN 60 730)
Protection type:	IP 65 (according to EN 60 529)
Standards:	CE conformity according to EMC directive 2014 / 30 / EU, low-voltage directive 2014 / 35 / EU

FUNCTION

Humidifying:	Wire contacts 1 - 4. Switch points ON/OFF are approx. 2.5% RH above or below the selected value.
Dehumidifying:	Wire contacts 1 - 2. Switch points ON/OFF are approx. 2.5% RH above or below the selected value.





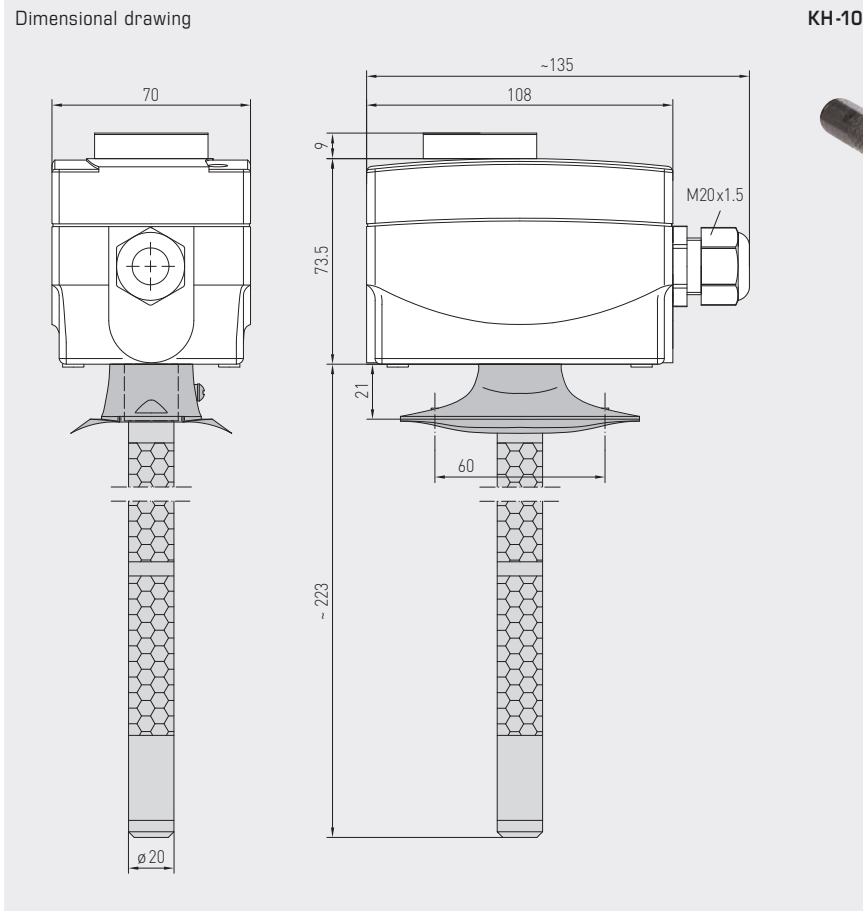
S+S REGELTECHNIK

HYGRASREG® KH-10

Duct hygrometers including mounting flange, mechanical, one-step, with switching output



Dimensional drawing



KH-10

KH-10
(with external setting)



MF-20-K

Mounting flange, plastic



HYGRASREG® KH-10 Duct hygrometers, mechanical, <i>Standard</i>					
Type / WG01	Setting range Humidity	Steps	Features	Item No.	Price
KH-10				External setting	
KH-10	35...100% RH	one-step	–	1202-3012-0010-000	253,06 €
KH-10-U				Internal setting	
KH-10 U	35...100% RH	one-step	Setpoint setter concealed	1202-3012-0020-000	250,38 €
ACCESSORIES					
MF-20-K	Mounting flange for KH, plastic, for duct installation (included in the scope of delivery)			7100-0030-4000-000	10,55 €
WH-20	Wall bracket for KH for on-wall mounting			1200-0010-4000-000	13,75 €

For further information see last chapter!