

**Sleeve sensor with temperature measuring transducer, calibratable, with multi-range switching and active output (Automatic Output Switching)**

**Patented quality product** (patent no. DE 10 2015 015 941 B4)

Calibratable temperature measuring transducer with sleeve sensor **THERMASGARD® HFTM - VA**, with eight switchable measuring ranges (max. -20...+150 °C), active output, rugged housing made from **stainless steel V4A**, with cable gland or M12 connector according to DIN EN 61076-2-101.

The measuring transducer converts the measured variables into a standard signal of 0- 10 V or 4...20 mA. The unit with **Automatic Output Switching** (AOS variant) detects the required output type and automatically switches to U or I output. Alternatively, a **type version** (2-wire I variant) with 2-wire connection and I output is available.

The temperature transmitter with remote sensor is used to detect temperatures in liquid and gaseous media e.g. if installed in an immersion sleeve or as a duct sensor. The measuring transducer is factory-calibrated. Adjustment / fine adjustment by the user is possible (zero point offset is adjustable). A direct, permanent use in liquids is possible in combination with immersion sleeves **THE** (see chapter Accessories). The sensor is factory-calibrated; an environmental precision adjustment by an expert is possible.

**TECHNICAL DATA**

**HFTM - I**

Power supply:	15...36 V DC, depending on working resistance, residual ripple stabilised ± 0.3 V
Working resistance:	$R_b \text{ (Ohm)} = (U_b - 14 \text{ V}) / 0.02 \text{ A}$
Connection type:	2-wire connection
Output:	<b>4...20 mA</b>

**HFTM - A (AOS)**

Power supply:	24 V AC / DC (± 10%)
Load resistance:	$R_L = 25...450 \text{ Ohm}$ with AOS I variant $R_L > 15 \text{ kOhm}$ with AOS U variant
Connection type:	3-wire connection
Output:	<b>automatic 0-10 V / 4...20 mA</b> (via <b>Automatic Output Switching</b> – the unit detects the required output type and automatically switches to U or I output)

**GENERAL**

Power consumption:	< 1.0 VA / 24 V DC; < 2.2 VA / 24 V AC
Measuring ranges:	<b>multi-range switching with 8 measuring ranges</b> , see table (other ranges optional) <b>with manual zero point correction (± 10 K)</b>
Sensor:	Pt1000, DIN EN 60751, class B <b>(Perfect Sensor Protection at IP68)</b>
Accuracy, temperature:	typically ± 0.2 K at +25 °C
Insulating resistance:	≥ 100 MΩ, at +20 °C (500 V DC)
Sensor protection:	sensor sleeve, stainless steel V4A (1.4571), Ø = 6 mm, nominal length NL = 50 mm (optional 30...400 mm)
Sensor cable:	Silicone, SiHF, 2x0.25mm <sup>2</sup> ; cable length (KL) = 1.5m (other lengths and jacket materials, e.g. PTFE or glass fibre with steel mesh, available on request)
Housing:	<b>stainless steel V4A</b> (1.4571), with non-distortion cover bolting, impact resistant, high EMI shielding, corrosion, temperature, weather- and UV-resistant
Housing dimension:	143 x 97 x 61 mm (Tyr2E)
Cable connection:	<b>cable gland, stainless steel V2A</b> (1.4305) (M20 x 1.5; with strain relief, exchangeable, inner diameter 6 - 12 mm) <b>or</b> <b>M12 connector</b> (male, 5-pin, A-code) according to DIN EN 61076-2-101
Electrical connection:	0.14 - 1.5 mm <sup>2</sup> , via terminal screws
Ambient temperature:	measuring transducer -30...+70 °C
Permissible humidity:	< 95 % RH, non-precipitating air
Protection class:	III (according EN 60 730)
Protection type housing:	<b>IP 65</b> (according to EN 60 529) Housing tested, TÜV SÜD, Report No. 713160960B (Skadi2)
Protection type sensor:	<b>IP 65</b> (according to EN 60 529) <b>sleeve</b> humidity-tight (standard) <b>IP 68</b> (according to EN 60 529) <b>sleeve</b> water-tight (optional) <b>IP 54</b> (according to EN 60 529) with <b>glass fibre</b> cable (optional)
Standards:	CE conformity according to EMC directive 2014 / 30 / EU

**ACCESSORIES** (see table)

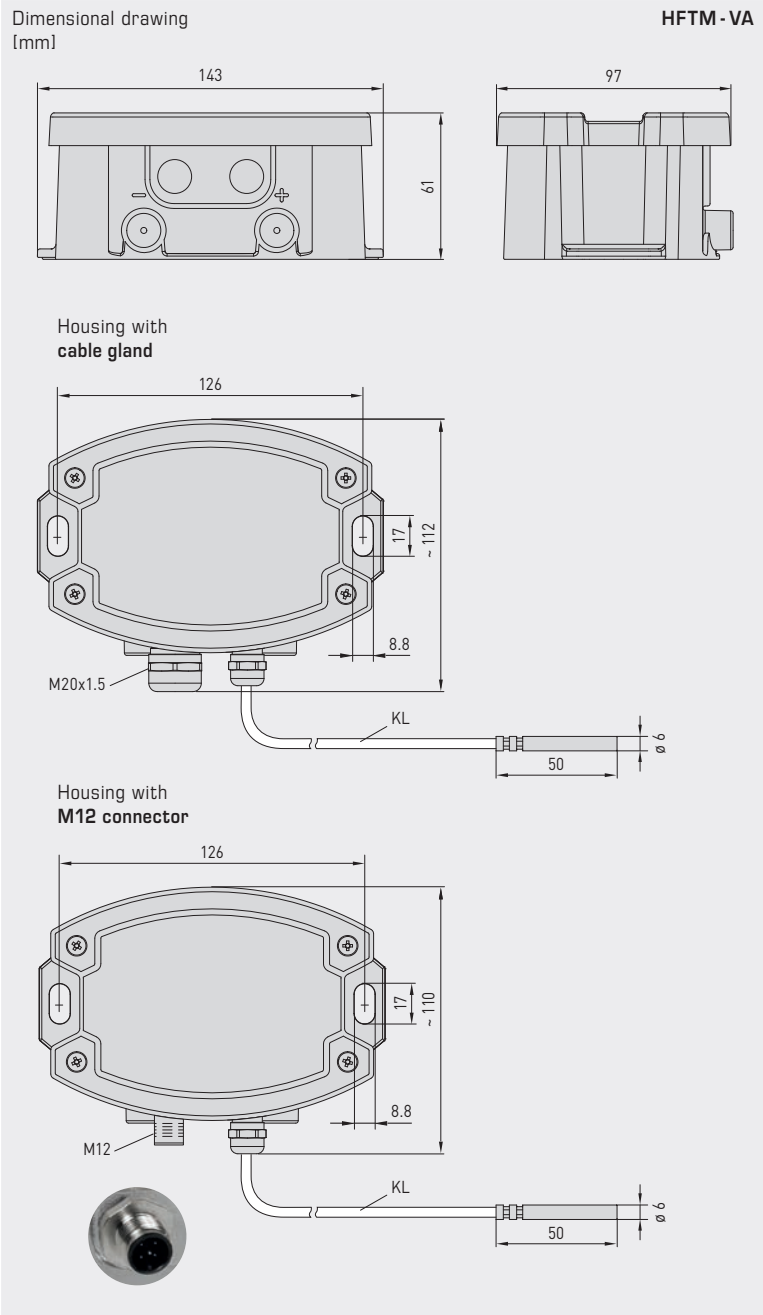


**NEW**

S+S REGELTECHNIK

thermasgard® **HFTM - VA**

Sleeve sensor with temperature measuring transducer, calibratable, with multi-range switching and active output (Automatic Output Switching)



**HFTM - VA**  
with cable gland



**HFTM - VAQ**  
with M12 connector



High-performance encapsulation against vibration, mechanical stress and humidity

**PS-PROTECTION**  
PERFECT SENSOR PROTECTION

Automatic detection and switching to standard signal 0...10V or 4...20mA

**AOS-PATENTED**  
AUTOMATIC OUTPUT SWITCHING



**IP 65** (standard)  
humidity-tight



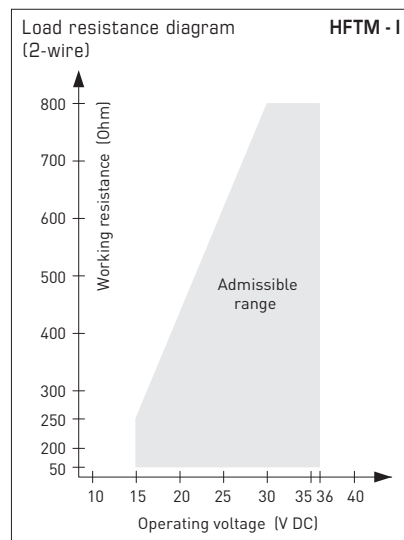
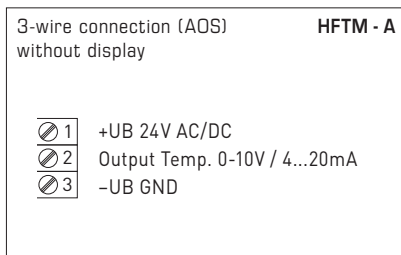
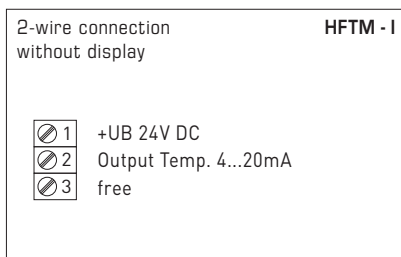
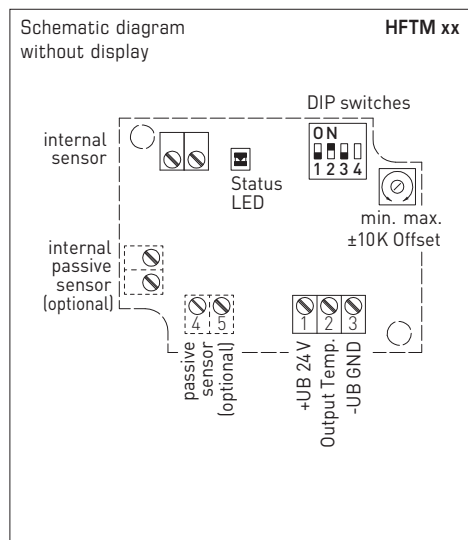
**IP 68** (optional)  
water-tight  
Perfect Sensor Protection



**IP 54** (optional)  
with glass fibre cable



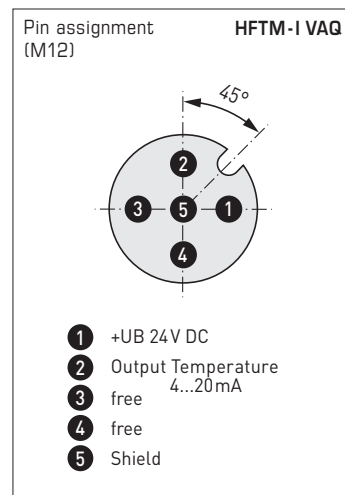
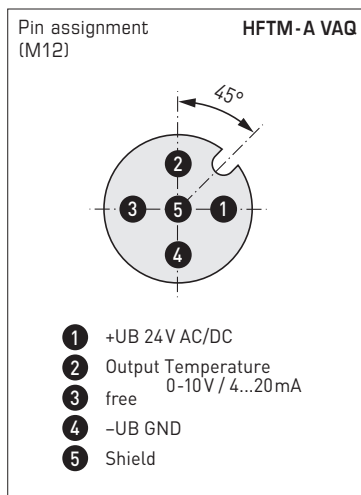
Sleeve sensor with temperature measuring transducer, calibratable, with multi-range switching and active output (Automatic Output Switching)



Measuring ranges [°C]	DIP 1	DIP 2	DIP 3	Measuring ranges [°F]
-20...+ 150 °C	ON	ON	ON	-4...+ 302 °F
-50... + 50 °C	OFF	ON	ON	-58...+ 122 °F
-20... + 80 °C	ON	OFF	ON	-4...+ 176 °F
-30... + 60 °C	OFF	OFF	ON	-22...+ 140 °F
0... + 40 °C	ON	ON	OFF	32...+ 104 °F
<b>0... + 50 °C *</b>	<b>OFF</b>	<b>ON</b>	<b>OFF</b>	<b>32...+ 122 °F *</b>
0...+ 100 °C	ON	OFF	OFF	32...+ 212 °F
0...+ 150 °C	OFF	OFF	OFF	32...+ 302 °F

\* (default)

DIP4 has no function!



For further technical information, see the operating instructions

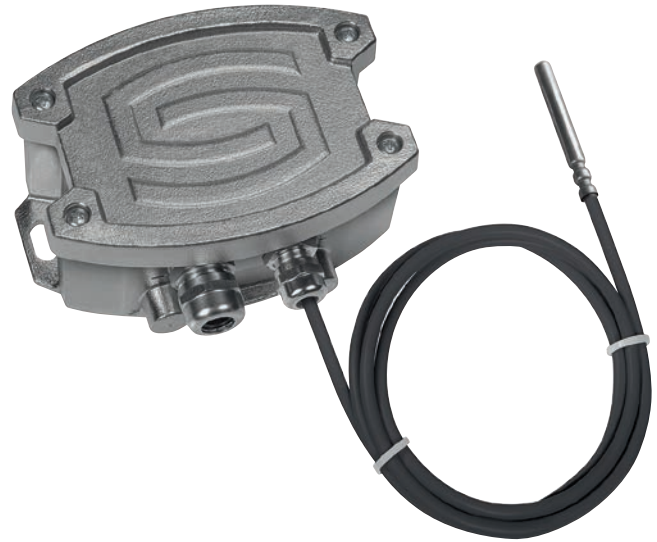


NEW

Sleeve sensor with temperature measuring transducer, calibratable, with multi-range switching and active output (Automatic Output Switching)

HFTM - VAQ  
with M12 connector

HFTM - VA  
with cable gland



THERMASGARD® HFTM - VA		Sleeve sensor with temperature measuring transducer, ID (Stainless steel housing with cable gland)		
Type / WG02I	Output	Type	Item No.	Price
<b>HFTM - I VA</b>		<b>(2-wire)</b>		
HFTM-I VA	4...20 mA	Remote sensor	2001-2141-2200-001	422,93 €
<b>HFTM - A VA</b>		<b>(3-wire AOS)</b>		
HFTM-A VA	0-10 V / 4...20 mA	Remote sensor	2001-2141-B200-001	422,93 €
<b>Automatic Output Switching (AOS):</b>	Patented analogue interface (patent no. DE 10 2015 015 941 B4) Unit automatically detects the required output type 0-10 V or 4...20 mA.			
<b>Housing variant:</b>	Cable connection with cable gland			
Extra charge:	other measuring ranges optional Protection type IP68 (Sensor sleeve watertight compound-filled) 2-wire connecting leads, per running meter (silicone / PTFE / glass fibre) Other lengths of protection sleeve optional			28,03 € 3,75 € on request on request

THERMASGARD® HFTM - VAQ		Sleeve sensor with temperature measuring transducer, ID (Stainless steel housing with M12 connector)		
Type / WG01I	Output	Type	● = Q Item No.	Price
<b>HFTM - I VAQ</b>		<b>(2-wire)</b>		
HFTM-I VAQ	4...20 mA	Remote sensor	● 2001-2141-2100-001	465,47 €
<b>HFTM - A VAQ</b>		<b>(3-wire AOS)</b>		
HFTM-A VAQ	0-10 V / 4...20 mA	Remote sensor	● 2001-2141-B100-001	465,47 €
<b>Automatic Output Switching (AOS):</b>	Patented analogue interface (patent no. DE 10 2015 015 941 B4) Unit automatically detects the required output type 0-10 V or 4...20 mA.			
<b>Housing variant "Q":</b>	Cable connection with M12 connector (male, 5-pin, A-code)			
Extra charge:	other measuring ranges optional Protection type IP68 (Sensor sleeve watertight compound-filled) 2-wire connecting leads, per running meter (silicone / PTFE / glass fibre) Other lengths of protection sleeve optional			28,03 € 3,75 € on request on request

ACCESSORIES	
<b>THE-xx</b>	Immersion sleeve, stainless steel V4A (1.4571) or polished brass, Ø = 9 mm
	Special accessories for M12 connector see chapter Accessories!

