

Room temperature sensors
in-wall, panel switch programme,
general

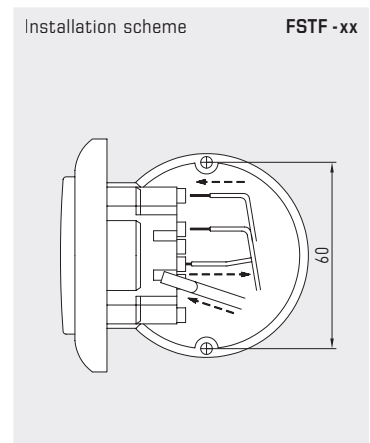
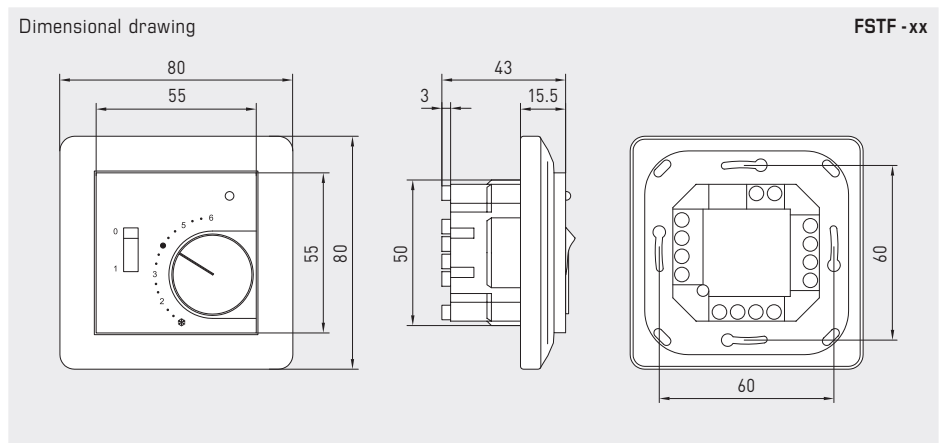
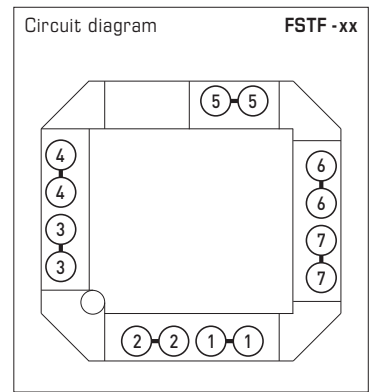
A room temperature sensor **THERMASGARD® FSTF** is used for air temperature measurement or setpoint adjustment, for presence detection or as room control and operating panel with temperature sensor, push-buttons, potentiometers, status indicators (LEDs).

The in-wall sensor is mounted in high-quality panel switch programmes, ideally of the brands Gira, Berker, Merten, Jung, Siemens or Busch-Jaeger (using in-wall adapters) either individually or in combination with light switches, socket outlets, etc.

It is used in non-aggressive, dust-free environments, in refrigeration, air conditioning and clean room technology, and in interior rooms, such as living rooms, offices, hotels, etc.

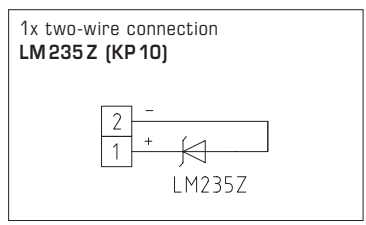
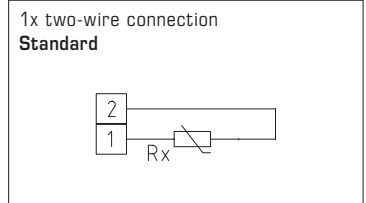
TECHNICAL DATA

Measuring ranges:	-30...+60 °C
Sensor / output:	see table, assembled on board, passive
Range suppression:	in the button
Testing current:	< 0.6 mA (Pt1000) < 1.0 mA (Pt100) < 0.3 mA (Ni1000, Ni1000 TK5000) < 2.0 mW (NTC xx) 400 µA...5 mA (LM235Z)
Potentiometers:	standard 1 kΩ, max. 0.1 W (other ratings optional on request, e. g. 100 Ω, 2.5 kΩ, 5 kΩ, 10 kΩ optional 0-10V linear)
Turn switches:	max. 24 V AC / DC, max. 130 mA, max. 5 steps (0, Auto, I, II, III)
Rocker switch:	max. 24 V AC / DC, max. 130 mA
Push-buttons:	normally open contact, max. 24 V DC / 10 mA
LEDs:	max. 24 V DC (optional max. 24 V AC), standard green (red, yellow or two-colour optional)
Installation:	in in-wall flush box Ø 55 mm
Electrical connection:	FSTF-1 via screw terminals 0.14 - 1.5 mm ² , FSTF-xx via plug terminals 1.0 - 2.5 mm ²
Humidity:	max. 90% RH, non-precipitating air
Protection class:	III (according to EN 60 730)
Protection type:	IP 20 (according to EN 60 529)
SWITCH PROGRAMMES	
Manufacturer:	GIRA System 55 Standard (other switch programmes, manufacturers, and prices upon request)
Housing:	plastic, colour pure white glossy (similar to RAL 9010) (other colours are possible on request with colour variants depending on the respective switch programme)

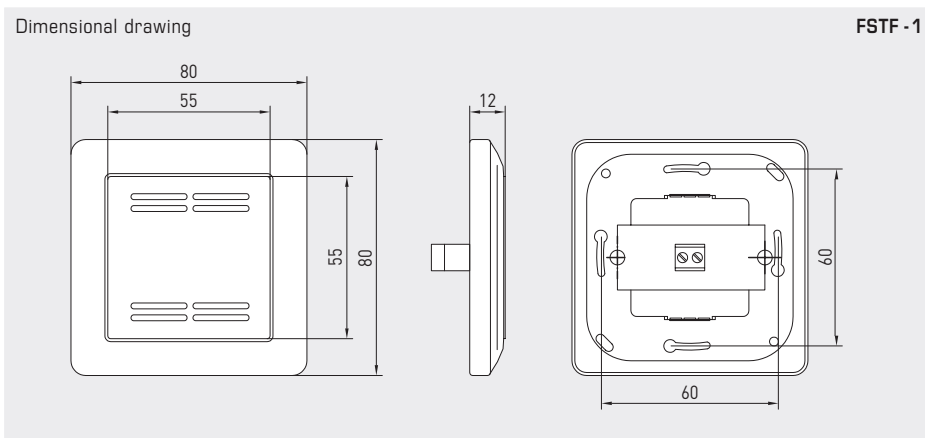




FSTF 1
Standard version
with sensor



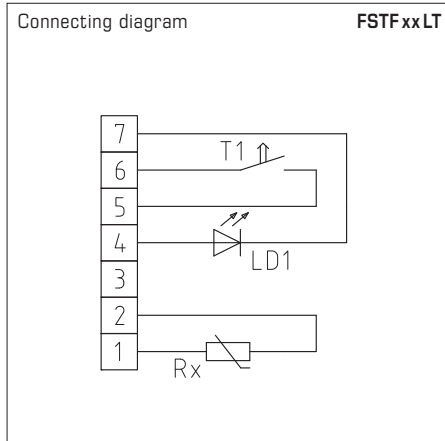
THERMASGARD® FSTF 1 Room temperature sensors			
Type / WG01	Sensor / Output	Item No.	Price
FSTF1	passive	IP20 (-30...+60 °C)	
FSTF1 Pt100	Pt100 (according to DIN EN 60 751, class B)	1101-5020-1000-162	56,03 €
FSTF1 Pt1000	Pt1000 (according to DIN EN 60 751, class B)	1101-5020-5000-162	56,03 €
FSTF1 Ni1000	Ni1000 (according to DIN EN 43 760, class B, TCR = 6180 ppm / K)	1101-5020-9000-162	57,72 €
FSTF1 NiTK	Ni1000 TK5000 (TCR = 5000 ppm / K), LG - Ni1000	1101-5021-0000-162	60,40 €
FSTF1 LM235Z	LM235Z (TCR = 10 mV / K; 2.73 V at 0 °C), KP10	1101-5022-1000-162	56,20 €
FSTF1 NTC1,8K	NTC 1.8K	1101-5021-2000-162	55,51 €
FSTF1 NTC10K	NTC 10K	1101-5021-5000-162	54,92 €
FSTF1 NTC20K	NTC 20K	1101-5021-6000-162	54,92 €



Room temperature sensors
in-wall, panel switch programme,
different versions



FSTFxxLT
Version with sensor,
LED (green), and push-button
(max. 24 V DC, max. 10 mA)

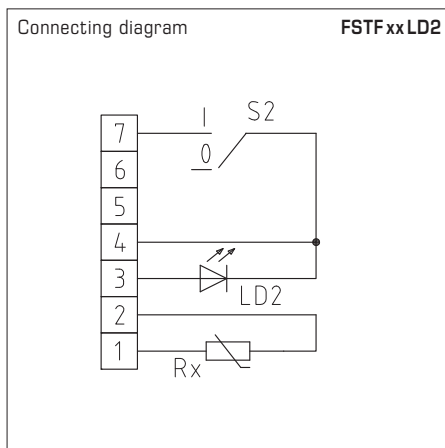


THERMASGARD® FSTFxxLT Room temperature sensors

Type/WG01	Sensor/Output	Item No.	Price
FSTFxxLT	passive	IP 20 (-30...+60 °C)	
FSTF Pt100 L T	Pt100 (according to DIN EN 60 751, class B)	1101-5020-1593-350	73,76 €
FSTF Pt1000 L T	Pt1000 (according to DIN EN 60 751, class B)	1101-5020-5593-350	73,76 €
FSTF Ni1000 L T	Ni1000 (according to DIN EN 43 760, class B, TCR = 6180 ppm/K)	1101-5020-9593-350	75,84 €
FSTF NiTK L T	Ni1000 TK5000 (TCR = 5000 ppm/K), LG-Ni1000	1101-5021-0593-350	75,84 €
FSTF LM235Z L T	LM235Z (TCR = 10 mV/K; 2.73V at 0 °C), KP10	1101-5022-1593-350	74,44 €
FSTF NTC1,8K L T	NTC 1.8K	1101-5021-2593-350	73,76 €
FSTF NTC10K L T	NTC 10K	1101-5021-5593-350	73,05 €
FSTF NTC20K L T	NTC 20K	1101-5021-6593-350	73,05 €



FSTFxxLD2
Version with sensor,
LED (green), and turn switch (2-step)
(max. 24 V AC/DC, max. 130 mA)

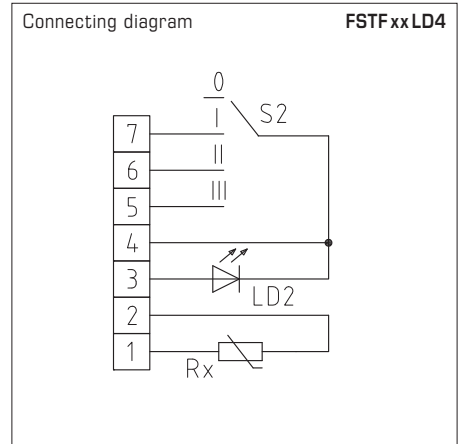


THERMASGARD® FSTFxxLD2 Room temperature sensors

Type/WG01	Sensor/Output	Item No.	Price
FSTFxxLD2	passive	IP 20 (-30...+60 °C)	
FSTF Pt100 D2 L	Pt100 (according to DIN EN 60 751, class B)	1101-5020-1631-351	84,41 €
FSTF Pt1000 D2 L	Pt1000 (according to DIN EN 60 751, class B)	1101-5020-5631-351	84,41 €
FSTF Ni1000 D2 L	Ni1000 (according to DIN EN 43 760, class B, TCR = 6180 ppm/K)	1101-5020-9631-351	87,08 €
FSTF NiTK D2 L	Ni1000 TK5000 (TCR = 5000 ppm/K), LG-Ni1000	1101-5021-0631-351	87,08 €
FSTF LM235Z D2 L	LM235Z (TCR = 10 mV/K; 2.73V at 0 °C), KP10	1101-5022-1631-351	84,98 €
FSTF NTC1,8K D2 L	NTC 1.8K	1101-5021-2631-351	84,98 €
FSTF NTC10K D2 L	NTC 10K	1101-5021-5631-351	84,28 €
FSTF NTC20K D2 L	NTC 20K	1101-5021-6631-351	84,28 €



FSTFxxLD4
Version with sensor,
LED (green) and turn switch (4-step)
(max. 24 V AC / DC, max. 130 mA)

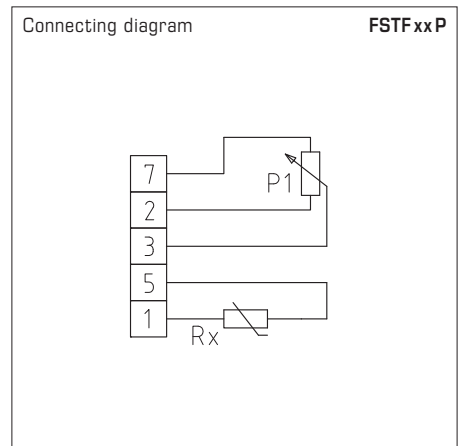


THERMASGARD® FSTFxxLD4 Room temperature sensors

Type / WG01	Sensor / Output	Item No.	Price
FSTFxxLD4	passive	IP20 (-30...+60 °C)	
FSTF Pt100 D4 L	Pt100 (according to DIN EN 60751, class B)	1101-5020-1643-352	87,81 €
FSTF Pt1000 D4 L	Pt1000 (according to DIN EN 60751, class B)	1101-5020-5643-352	87,81 €
FSTF Ni1000 D4 L	Ni1000 (according to DIN EN 43760, class B, TCR = 6180 ppm / K)	1101-5020-9643-352	89,90 €
FSTF NiTK D4 L	Ni1000 TK5000 (TCR = 5000 ppm / K), LG - Ni1000	1101-5021-0643-352	89,90 €
FSTF LM235Z D4 L	LM235Z (TCR = 10 mV / K; 2.73 V at 0 °C), KP10	1101-5022-1643-352	88,50 €
FSTF NTC1,8K D4 L	NTC 1.8K	1101-5021-2643-352	87,81 €
FSTF NTC10K D4 L	NTC 10K	1101-5021-5643-352	87,08 €
FSTF NTC20K D4 L	NTC 20K	1101-5021-6643-352	87,08 €



FSTFxxP
Version with sensor
and potentiometer
(1 kOhm, max. 0.1 W)



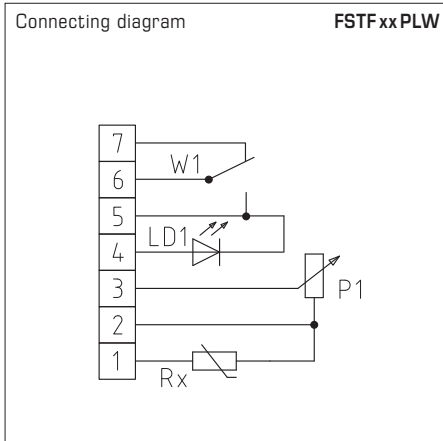
THERMASGARD® FSTFxxP Room temperature sensors

Type / WG01	Sensor / Output	Item No.	Price
FSTFxxP	passive	IP20 (-30...+60 °C)	
FSTF Pt100 P	Pt100 (according to DIN EN 60751, class B)	1101-5020-1001-282	90,59 €
FSTF Pt1000 P	Pt1000 (according to DIN EN 60751, class B)	1101-5020-5001-162	90,59 €
FSTF Ni1000 P	Ni1000 (according to DIN EN 43760, class B, TCR = 6180 ppm / K)	1101-5020-9001-162	91,46 €
FSTF NiTK P	Ni1000 TK5000 (TCR = 5000 ppm / K), LG - Ni1000	1101-5021-0001-162	94,53 €
FSTF LM235Z P	LM235Z (TCR = 10 mV / K; 2.73 V at 0 °C), KP10	1101-5022-1001-162	86,39 €
FSTF NTC1,8K P	NTC 1.8K	1101-5021-2001-162	87,81 €
FSTF NTC10K P	NTC 10K	1101-5021-5001-162	86,39 €
FSTF NTC20K P	NTC 20K	1101-5021-6001-162	86,39 €

Room temperature sensors
in-wall, panel switch programme,
different versions



FSTFxxPLW
Version with sensor,
potentiometer (1 kOhm, max. 0.1 W),
LED (green), and rocker switch
(max. 24 V AC/DC, max. 130 mA)

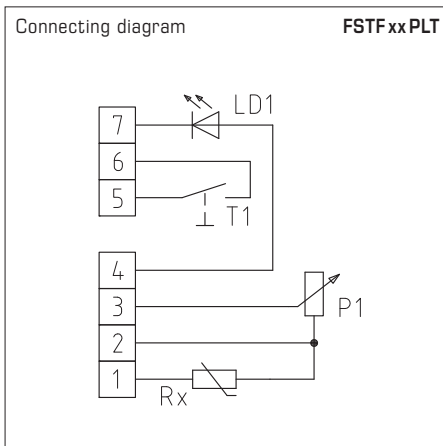


THERMASGARD® FSTF xx PLW Room temperature sensors

Type/WG01	Sensor/Output	Item No.	Price
FSTFxxPLW	passive	IP 20 (-30...+60 °C)	
FSTF Pt100 P L W	Pt100 (according to DIN EN 60 751, class B)	1101-5020-1655-353	114,97 €
FSTF Pt1000 P L W	Pt1000 (according to DIN EN 60 751, class B)	1101-5020-5655-353	117,85 €
FSTF Ni1000 P L W	Ni1000 (according to DIN EN 43 760, class B, TCR = 6180 ppm/K)	1101-5020-9655-353	118,55 €
FSTF NiTK P L W	Ni1000 TK5000 (TCR = 5000 ppm/K), LG-Ni1000	1101-5021-0655-353	121,41 €
FSTF LM235Z P L W	LM235Z (TCR = 10 mV/K; 2.73 V at 0 °C), KP10	1101-5022-1655-353	115,68 €
FSTF NTC1,8K P L W	NTC 1.8K	1101-5021-2655-353	122,00 €
FSTF NTC10K P L W	NTC 10K	1101-5021-5655-353	114,97 €
FSTF NTC20K P L W	NTC 20K	1101-5021-6655-353	114,97 €



FSTFxxPLT
Version with sensor,
potentiometer (1 kOhm, max. 0.1 W),
LED (green), and push-button
(max. 24 V DC, max. 10 mA)

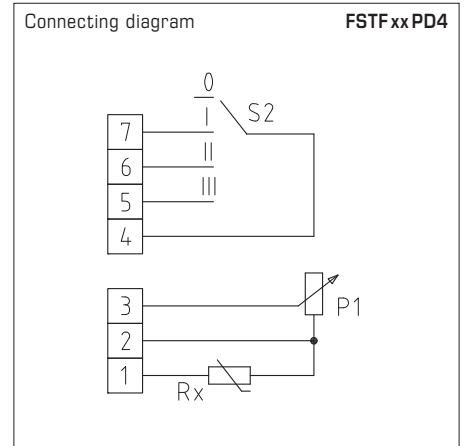


THERMASGARD® FSTF xx PLT Room temperature sensors

Type/WG01	Sensor/Output	Item No.	Price
FSTFxxPLT	passive	IP 20 (-30...+60 °C)	
FSTF Pt100 P L T	Pt100 (according to DIN EN 60 751, class B)	1101-5020-1663-162	114,90 €
FSTF Pt1000 P L T	Pt1000 (according to DIN EN 60 751, class B)	1101-5020-5663-162	117,78 €
FSTF Ni1000 P L T	Ni1000 (according to DIN EN 43 760, class B, TCR = 6180 ppm/K)	1101-5020-9663-350	118,47 €
FSTF NiTK P L T	Ni1000 TK5000 (TCR = 5000 ppm/K), LG-Ni1000	1101-5021-0663-350	121,35 €
FSTF LM235Z P L T	LM235Z (TCR = 10 mV/K; 2.73 V at 0 °C), KP10	1101-5022-1663-350	115,60 €
FSTF NTC1,8K P L T	NTC 1.8K	1101-5021-2663-350	121,92 €
FSTF NTC10K P L T	NTC 10K	1101-5021-5663-350	114,90 €
FSTF NTC20K P L T	NTC 20K	1101-5021-6663-350	114,90 €



FSTF xx PD4
Version with sensor,
potentiometer (1 kOhm, max. 0.1 W)
and turn switch
(max. 24 V AC / DC, max. 130 mA)

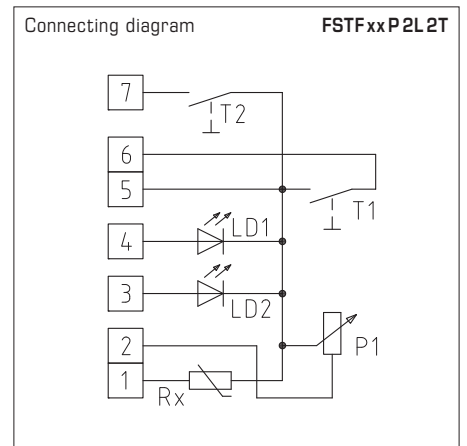


THERMASGARD® FSTF xx PD4 Room temperature sensors

Type / WG01	Sensor / Output	Item No.	Price
FSTF xx PD4	passive	IP20 (-30...+60 °C)	
FSTF Pt100 P D4	Pt100 (according to DIN EN 60751, class B)	1101-5020-1007-354	118,48 €
FSTF Pt1000 P D4	Pt1000 (according to DIN EN 60751, class B)	1101-5020-5007-354	121,36 €
FSTF Ni1000 P D4	Ni1000 (according to DIN EN 43760, class B, TCR = 6180 ppm / K)	1101-5020-9007-354	122,09 €
FSTF NiTK P D4	Ni1000 TK5000 (TCR = 5000 ppm / K), LG - Ni1000	1101-5021-0007-354	124,97 €
FSTF LM235Z P D4	LM235Z (TCR = 10 mV / K; 2.73 V at 0 °C), KP10	1101-5022-1007-354	118,48 €
FSTF NTC1,8K P D4	NTC 1.8K	1101-5021-2007-354	120,62 €
FSTF NTC10K P D4	NTC 10K	1101-5021-5007-354	117,78 €
FSTF NTC20K P D4	NTC 20K	1101-5021-6007-354	117,78 €



FSTF xx P 2L 2T
Version with sensor,
potentiometer (1 kOhm, max. 0.1 W),
2 LEDs (green, red), and 2 push-buttons (max.
24 V DC, max. 10 mA)



THERMASGARD® FSTF xx P 2L 2T Room temperature sensors

Type / WG01	Sensor / Output	Item No.	Price
FSTF xx P 2L 2T	passive	IP20 (-30...+60 °C)	
FSTF Pt100 P 2L 2T	Pt100 (according to DIN EN 60751, class B)	1101-5020-1672-256	121,35 €
FSTF Pt1000 P 2L 2T	Pt1000 (according to DIN EN 60751, class B)	1101-5020-5672-256	125,29 €
FSTF Ni1000 P 2L 2T	Ni1000 (according to DIN EN 43760, class B, TCR = 6180 ppm / K)	1101-5020-9672-256	129,36 €
FSTF NiTK P 2L 2T	Ni1000 TK5000 (TCR = 5000 ppm / K), LG - Ni1000	1101-5021-0672-256	131,75 €
FSTF LM235Z P 2L 2T	LM235Z (TCR = 10 mV / K; 2.73 V at 0 °C), KP10	1101-5022-1672-256	124,18 €
FSTF NTC1,8K P 2L 2T	NTC 1.8K	1101-5021-2672-256	128,11 €
FSTF NTC10K P 2L 2T	NTC 10K	1101-5021-5672-256	121,92 €
FSTF NTC20K P 2L 2T	NTC 20K	1101-5021-6672-256	121,92 €