

**Room air-quality sensors (VOC) or measuring transducers,
in-wall in the panel switch programme,
with active output**

Maintenance-free air-quality sensor **AERASGARD® FSLQ** with active output, automatic calibration, in the in-wall housing, for determining the air quality (0...100 % VOC). The measuring transducer converts the measured variables into a standard signal of 0-10V. The in-wall sensor is mounted in high-quality panel switch programmes, ideally of the brands Gira, Berker, Merten, Jung, Siemens or Busch-Jaeger (using in-wall adapters) either individually or in combination with light switches, socket outlets, etc.

The sensor is used in offices, hotels, convention centres, apartments, shops, etc. and is used for evaluating the indoor climate. This enables energy-saving room ventilation on an as-needed basis, thereby reducing operating costs and improving well-being.

The air quality is detected by a **VOC sensor** (mixed gas sensor for volatile organic substances). This determines the pollutant loading of the room air by contaminated gases such as cigarette smoke, body vapours, breathing air, solvent vapours, emissions, etc.

TECHNICAL DATA

Power supply:	24 V AC / DC (± 10 %)
Power consumption:	typically < 2.0 VA / 24 V AC; typically < 1.0 W / 24 V DC

AIR QUALITY (VOC)

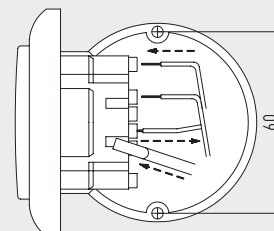
Sensor:	VOC sensor (metal oxide) with automatic calibration (VOC = volatile organic compounds) Detection of the gases is not selective
Measuring range:	0...100 % air quality (with reference to the calibration gas)
Accuracy:	typically ± 20 % final value (with reference to the calibration gas)
Service life:	> 60 months (under normal load conditions)
Warm-up time:	approx. 1 hour
Response time:	< 60 s
Output:	0 - 10 V (0 V = clean air, 10 V = polluted air) (low to elevated room air pollution load)
Mounting:	in-wall flush box \varnothing 55 mm
Electrical connection:	max. 1.5 mm ² , via push-in terminals
Ambient temperature:	storage $-20...+50$ °C; operation $0...+50$ °C
Permitted humidity:	max. 95 % RH, non-condensing air
Medium:	clean air and non-aggressive, non-combustible gases
Protection class:	III (according to EN 60 730)
Protection type:	IP 20 (according to EN 60 529)
Standards:	CE-conformity according to EMC Directive 2014/30/EU

SWITCH PROGRAMME

Manufacturer:	GIRA System 55 (other switch programmes, manufacturers, colours as well as prices available upon request)
Housing:	plastic, the standard colour is pure glossy white (similar to RAL 9010) (other colours are available upon request with colour variants depending on the respective light switch programme)

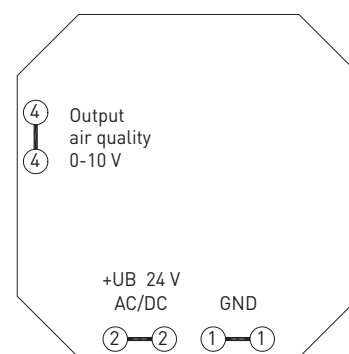
Mounting diagram
[mm]

In-wall



Schematic diagram

FSLQ-U





S+S REGELTECHNIK

AERASGARD® FSLQ

Room air-quality sensors (VOC) or measuring transducers,
in-wall in the panel switch programme,
with active output

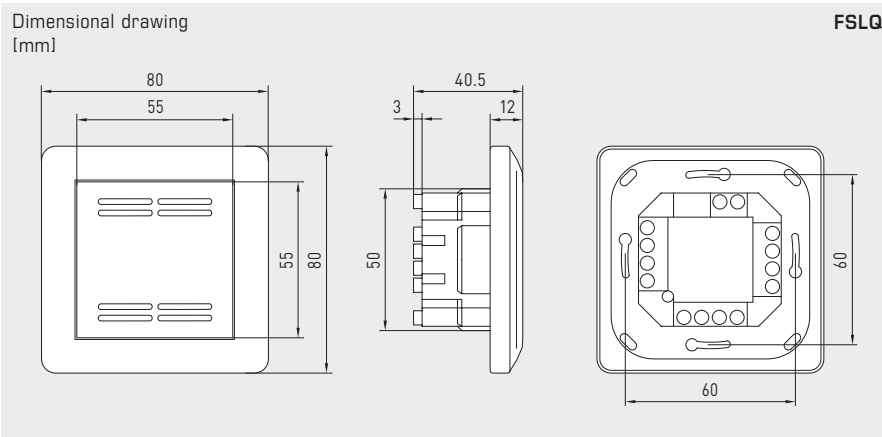


Table VOC content
MR: 0...100%

VOC %	U _A [V]
0	0,0
5	0,5
10	1,0
15	1,5
20	2,0
25	2,5
30	3,0
35	3,5
40	4,0
45	4,5
50	5,0
55	5,5
60	6,0
65	6,5
70	7,0
75	7,5
80	8,0
85	8,5
90	9,0
95	9,5
100	10,0

AERASGARD® FSLQ		Room air quality sensor (VOC) or measuring transducer, in-wall		
Type / WG01	Measuring range VOC	Output VOC	Item No.	Price
FSLQ				
FSLQ-U	0...100%	0-10 V	1501-5120-1000-162	271,09 €
Note:	This unit must not be used as a safety-relevant device!			

