

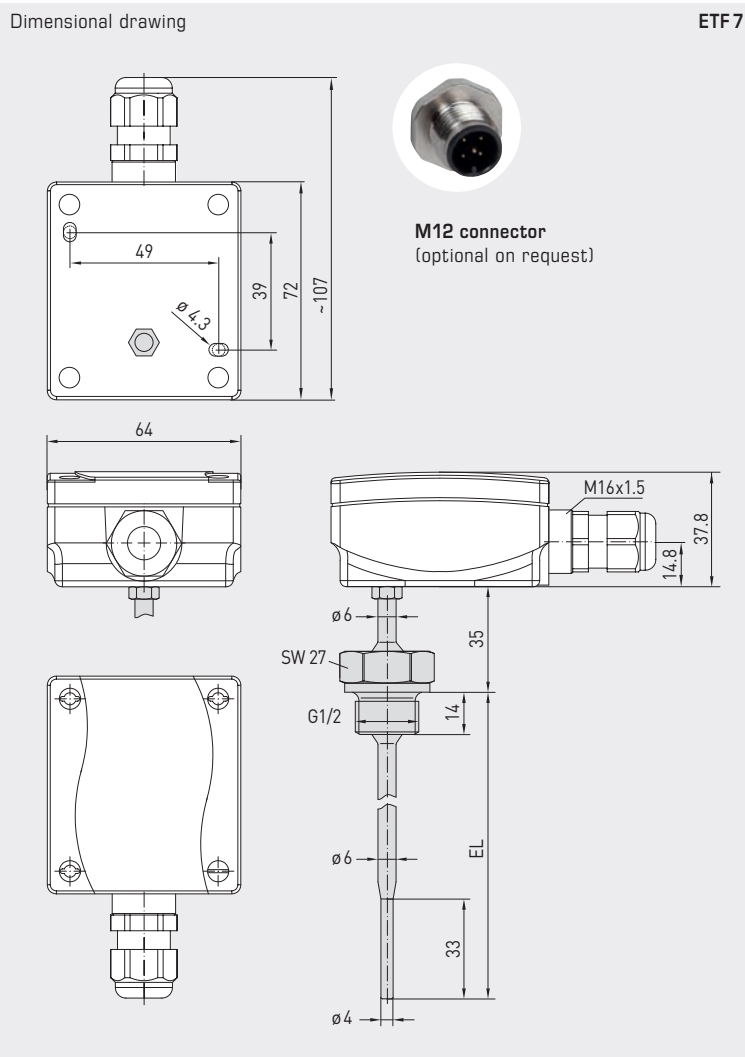




S+S REGELTECHNIK

THERMASGARD® ETF 7

Screw-in / immersion temperature sensors  
with neck tube (stepped once)  
with passive output



ETF 7

THERMASGARD® ETF 7		Screw-in / immersion temperature sensor with neck tube	
Type / WG01	Sensor / Output	Item No.	Price
<b>ETF7 Pt100 xx</b>	<b>Pt100</b>		
ETF7 Pt100 100mm	Pt100 (according to DIN EN 60 751, class B)	1101-2080-1023-000	<b>157,46 €</b>
ETF7 Pt100 150mm	Pt100 (according to DIN EN 60 751, class B)	1101-2080-1033-000	<b>159,01 €</b>
ETF7 Pt100 250mm	Pt100 (according to DIN EN 60 751, class B)	1101-2080-1053-000	<b>162,64 €</b>
<b>ETF7 Pt1000 xx</b>	<b>Pt1000</b>		
ETF7 Pt1000 100mm	Pt1000 (according to DIN EN 60 751, class B)	1101-2080-5021-000	<b>159,15 €</b>
ETF7 Pt1000 150mm	Pt1000 (according to DIN EN 60 751, class B)	1101-2080-5031-000	<b>160,19 €</b>
ETF7 Pt1000 250mm	Pt1000 (according to DIN EN 60 751, class B)	1101-2080-5051-000	<b>163,41 €</b>
<b>ETF7 Ni1000 xx</b>	<b>Ni1000</b>		
ETF7 Ni1000 100mm	Ni1000 (according to DIN EN 43 760, class B, TCR = 6180 ppm / K)	1101-2084-2021-000	<b>175,51 €</b>
ETF7 Ni1000 150mm	Ni1000 (according to DIN EN 43 760, class B, TCR = 6180 ppm / K)	1101-2084-2031-000	<b>177,21 €</b>
ETF7 Ni1000 250mm	Ni1000 (according to DIN EN 43 760, class B, TCR = 6180 ppm / K)	1101-2084-2051-000	<b>179,43 €</b>
<b>ETF7 Ni1000TK xx</b>	<b>Ni1000 TK5000</b>		
ETF7 NiTK 100mm	Ni1000 TK5000 (TCR = 5000 ppm / K), LG-Ni1000	1101-2081-0021-000	<b>165,45 €</b>
ETF7 NiTK 150mm	Ni1000 TK5000 (TCR = 5000 ppm / K), LG-Ni1000	1101-2081-0031-000	<b>165,88 €</b>
ETF7 NiTK 250mm	Ni1000 TK5000 (TCR = 5000 ppm / K), LG-Ni1000	1101-2081-0051-000	<b>167,42 €</b>
Optional:	Cable connection with <b>M12 connector</b> according to DIN EN 61076-2-101	on request	