

**In-ceiling light intensity sensors,
with multi-range switching
and active output**

The light-intensity sensor **PHOTASGARD® DHKF** with six switchable measuring ranges (six devices in one) for installation in suspended ceilings. The connecting head is pluggable for quick and easy mounting. The measuring transducer is accommodated in a separate housing.

The sensor used was specifically adapted to the sensitivity of the human eye. Its greatest sensitivity is in the range of 400nm to 700nm. With its special filter, the sensor is therefore ideally suited to exposure measurement of daylight and/or for measuring artificial light of high colour temperature (similar to sunlight).

It is used for daylight-dependent constant light control, to control luminaires, lighting systems, Venetian blinds and canvas blinds, and to control light intensity and sun protection hoods to avoid unnecessary heating-up of rooms. It is used in greenhouses, storage halls, industrial halls, workshops, corridors, residential and commercial buildings.

DHKF
Connecting head,
pluggable



TECHNICAL DATA

Power supply:	24 V AC (±20%); 15...36 V DC for U variant 15...36 V DC for I variant, depending on working resistance, residual ripple stabilised ±0.3 V
Working resistance:	$R_a \text{ (ohm)} = (U_b - 14 \text{ V}) / 0.02 \text{ A}$ for I variant
Load resistance:	$R_L > 5 \text{ kOhm}$ for U variant
Power consumption:	< 1 W at 24 V DC; < 2 VA at 24 V AC
Sensor:	light sensor
Measuring ranges:	multi-range switching (via DIP switches) 0...500 Lux / 1 kLux / 2 kLux / 5 kLux / 20 kLux / 60 kLux (other individual ranges optional on request)
Output:	4...20 mA or 0-10 V
Accuracy:	typically < 5% of final value
Ambient temperature:	-30...+70 °C
Housing:	plastic, UV-resistant, material polyamide, 30% glass-globe reinforced, with quick-locking screws (slotted / Phillips head combination), colour traffic white (similar to RAL 9016)
Housing dimensions:	72 x 64 x 37.8 mm (Tyr 1)
Electrical connection:	2- or 3-wire (see connecting diagram), 0.14 - 1.5 mm ² , via terminal screws
Cable connection:	cable gland , plastic (M 16 x 1.5; with strain relief, exchangeable, inner diameter 10.4 mm) or M12 connector according to DIN EN 61076-2-101 (optional on request)
Connecting cable:	PVC, LiYY, 4 x 0.14 mm ² , cable length (KL) = approx. 2 m
Connecting head:	made of plastic, material polycarbonate (PC), colour white, pluggable , Ø = approx. 35 mm, H = approx. 29 mm
Mounting (sensor):	in the suspended ceiling, ceiling cut-out Ø = 30 mm, cover Ø = < 35 mm
Protection type:	IP 65 (according to EN 60529) Housing IP 30 (according to EN 60529) Sensor in the built-in state
Protection class:	III (according to EN 60730)
Standards:	CE conformity according to EMC directive 2014/30/EU

Measuring ranges (adjustable)	DIP 1	DIP 2	DIP 3
0...500 Lux	OFF	OFF	OFF
0... 1 kLux	ON	OFF	OFF
0... 2 kLux	OFF	ON	OFF
0... 5 kLux	ON	ON	OFF
0... 20 kLux (default)	OFF	OFF	ON
0... 60 kLux	ON	OFF	ON

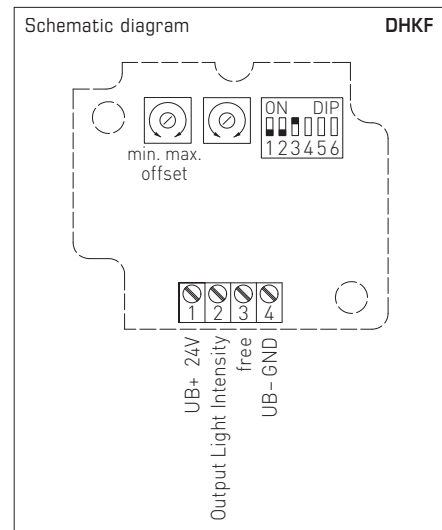
Note: **DIP 4, 5, 6** are not assigned!

Connecting diagram DHKF-U

1	UB+ supply voltage 24V AC/DC
2	Output light intensity 0-10V
3	free
4	UB- GND

Connecting diagram DHKF-I

1	UB+ supply voltage 24V DC
2	Output light intensity 4...20mA





S+S REGELTECHNIK

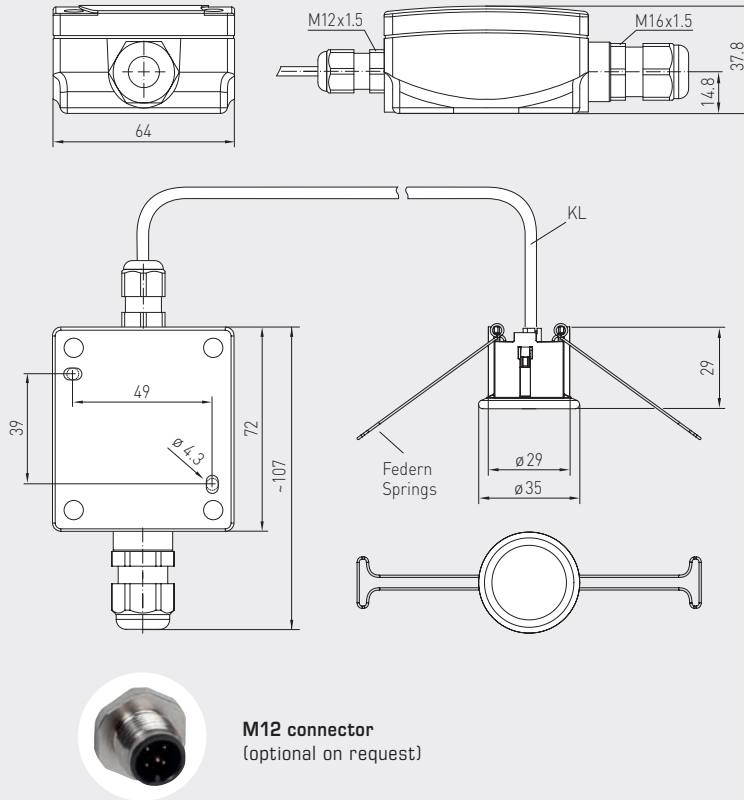
PHOTASGARD® DHKF

In-ceiling light intensity sensors,
with multi-range switching
and active output



Dimensional drawing

DHKF



DHKF



PHOTASGARD® DHKF In-ceiling light intensity sensors

Type / WG01	Measuring Range Light Intensity (adjustable)	Output Light Intensity	Item No.	Price
DHKF				
DHKF I	0...500 Lux / 1 / 2 / 5 / 20 / 60 kLux	4 ... 20 mA	1601-6122-1000-000	163,53 €
DHKF U	0...500 Lux / 1 / 2 / 5 / 20 / 60 kLux	0-10 V	1601-6121-1000-000	163,53 €
Extra charge:	other individual measuring ranges optional		on request	
Optional:	Cable connection with M12 connector according to DIN EN 61076-2-101		on request	