

On-wall / outdoor- / wet room temperature measuring transducers, Bluetooth-enabled, with EtherCATP port

Networkable outdoor temperature measuring transducer **THERMASGARD® ATM2 - EtherCATP** with M8 plug-in connector (EtherCATP-encoded), Bluetooth-enabled, in an impact-resistant plastic housing with quick-locking screws, optionally with /without display and bar graph.

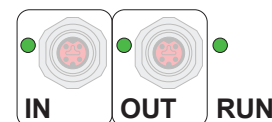
The on-wall sensor is used to detect the temperature in gaseous media. It is used outdoors or in wet rooms, in cold storage buildings and greenhouses, in the industrial sector and in agriculture. Installation on outside walls is preferably performed on the north side or in a protected place. In case of direct solar irradiation, the weather and sun protection hood **WS 03** (accessory) is to be used. The sensor is factory-calibrated.

EtherCATP-enabled measuring transducer for industrial requirements with maximum reliability: includes easy PLC integration using the device's ESI configuration file, diagnostics (such as communication failure counter), advanced settings options, access to historical data (min / max) and establishing the sensor's service interval. Optionally with large illuminated display (3-line, customised programming in the 7-segment and dot-matrix range) and bar graph (7-digit, LEDs freely configurable) for graphical display, e.g., as a traffic light indicator.

ATM2 - EtherCATP



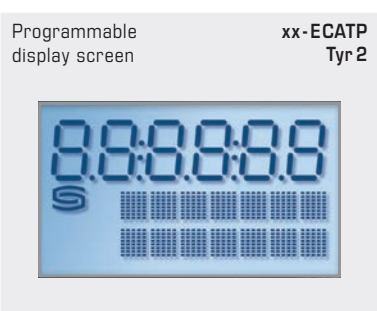
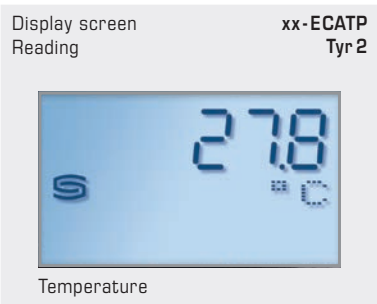
EtherCATP
Cable connection and LED status display



TECHNICAL DATA

Power supply:	24VDC via EtherCATP (U _S)
Power consumption:	< 3W
Bus protocol:	EtherCAT
Radio technology:	Bluetooth (LE)
Sensor:	Pt1000, DIN EN 60751, class B (Perfect Sensor Protection)
Measuring range:	-50...+150°C
Accuracy in temperature:	Typically ± 0.2K at +25°C
Medium:	Clean air and non-aggressive, non-combustible gases
Protective tube:	Stainless steel, V4A (1.4571), Ø = 6mm (see dimensional drawing)
Housing:	Plastic, UV-resistant, polyamide material, 30% glass-globe reinforced, with quick-locking screws (slotted / Phillips head combination), colour traffic white (similar to RAL 9016), housing cover for display is transparent!
Housing dimension:	126 x 90 x 50mm (Tyr2)
Cable connection:	M8 plug-in connector , EtherCATP-encoded
Ambient temperature:	Measuring transducer -30...+70°C
Permitted humidity:	< 95% RH, non-precipitating air
Protection class:	III (according to EN 60 730)
Protection type:	IP 54 (according to EN 60 529) when built-in
Standards:	CE conformity, according to EMC Directive 2014 / 30 / EU, according to RED 2014 / 53 / EU
Equipment:	Display with illumination , 3-line, customised programming, cutout approx. W 51 x H 29mm, to display the actual temperature or a customised display value. Bar graph , 7-digit, LEDs freely configurable, to graphically display the reading.
ACCESSORIES	See table

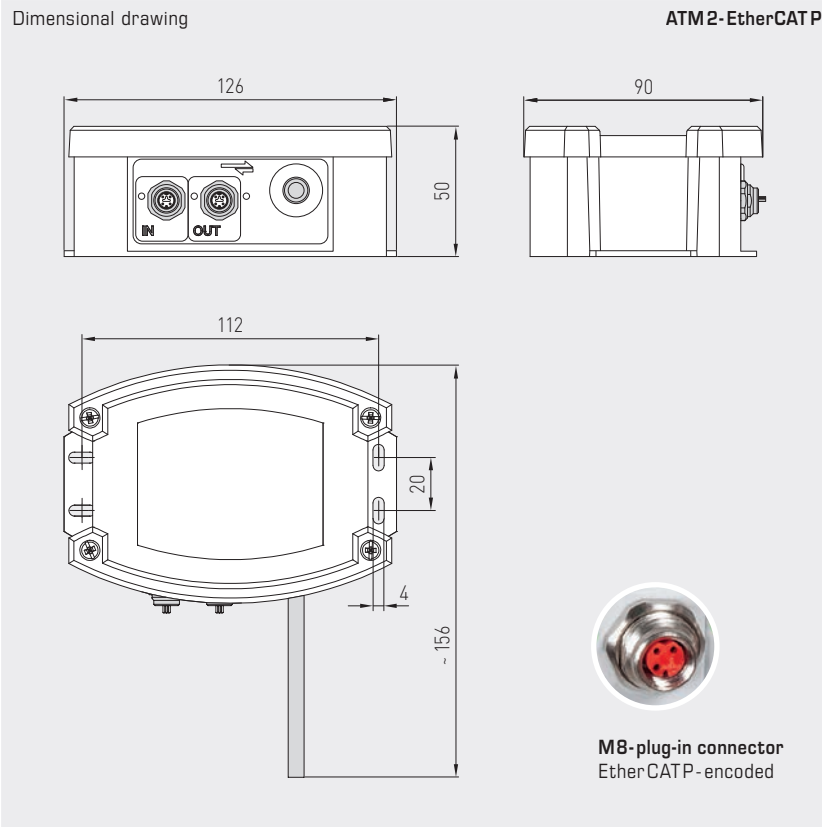
EtherCAT P	LED status display
1. LED	"IN"
off	no connection to upstream EtherCAT module
illuminated	LINK: connection to upstream EtherCAT module
blinking	ACT: communication with upstream EtherCAT module
2. LED	"OUT"
off	no connection to downstream EtherCAT module
illuminated	LINK: connection to downstream EtherCAT module
blinking	ACT: communication with downstream EtherCAT module
3. LED	"RUN"
off	EtherCAT module is in "Init" state
quickly blinking	EtherCAT module is in "Pre-Operational" state
slowly blinking	EtherCAT module is in "Safe-Operational" state
illuminated	EtherCAT module is in "Operational" state
The status LEDs are next to the cable connection.	





S+S REGELTECHNIK

On-wall / outdoor- / wet room temperature measuring transducers, Bluetooth-enabled, with EtherCAT P port



ATM2-EtherCAT P with display and bar graph



WS-03

Weather and sun protection hood, (optional)



High-performance encapsulation against vibration, mechanical stress and humidity



THERMASGARD® ATM2 - EtherCAT P		On-wall temperature sensor, with EtherCAT P port				
Type / WG02	Measuring Range Temperature	Sensor	Output	Bar graph Display	Item No.	Price
ATM2-ECATP xx						
ATM2-ECATP	-50...+150 °C	Pt1000	EtherCAT P		2001-6201-9100-001	381,59 €
ATM2-ECATP LCD	-50...+150 °C	Pt1000	EtherCAT P	<input type="checkbox"/> <input checked="" type="checkbox"/>	2001-6202-9100-001	432,61 €
Note:	Cable connection with M8 plug-in connector (EtherCAT P-encoded)					

ACCESSORIES		
WS-03	Weather and sun protection hood, 200 x 180 x 150 mm, stainless steel V2A (1.4301)	7100-0040-6000-000 49,36 €

For further information, see last chapter Accessories!