

Outside temperature / wet room temperature measuring transducers, calibratable, with multi-range switching and active output (Automatic Output Switching)

Patented quality product (patent no. DE 10 2015 015 941 B4)

Calibratable outside temperature measuring transducer **THERMASGARD® ATM 2**, with eight switchable measuring ranges (max. -20...+150 °C), active output, external sensor, housing made from impact-resistant plastic with quick-release screws, with cable gland or M12 connector according to DIN EN 61076-2-101, optionally with /without display. The standard display can be changed from SI [°C] to imperial [°F] units via DIP switch.

The measuring transducer converts the measured variables into a standard signal of 0 - 10 V or 4...20 mA. The unit with **Automatic Output Switching** (AOS variant) detects the required output type and automatically switches to U or I output. Alternatively, a **type version** (2-wire I variant) with 2-wire connection and I output is available.

It is used to detect outside temperatures, temperatures in wet rooms, e.g. for installation on outside walls, in cold storage buildings and greenhouses, in the industrial sector and in agriculture. Installation in outdoor areas preferably at the north side of a building or in a protected place. In case of direct solar irradiation, we recommend the use of our sun and ball-impact protection hood **WS01** or **WS04** (accessories) or the device version with the installed sun protection **SS02** (on request). The sensor is factory-calibrated; an environmental precision adjustment by an expert is possible.

ATM 2
with sun protection SS02
(on request)



ATM 2 - G
with M12 connector



TECHNICAL DATA

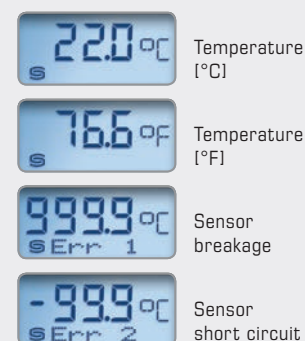
ATM 2 - I	
Power supply:	15...36 V DC, depending on working resistance, residual ripple stabilised ± 0.3 V
Working resistance:	$R_b \text{ (Ohm)} = (U_b - 14 \text{ V}) / 0.02 \text{ A}$
Connection type:	2-wire connection
Output:	4...20 mA

ATM 2 - A (AOS)	
Power supply:	24 V AC / DC (± 10%)
Load resistance:	$R_L = 25...450 \text{ Ohm}$ with AOS I variant $R_L > 15 \text{ kOhm}$ with AOS U variant
Connection type:	3-wire connection
Output:	automatic 0-10 V / 4...20 mA (via Automatic Output Switching – the unit detects the required output type and automatically switches to U or I output)

GENERAL	
Power consumption:	< 1.0 VA / 24 V DC; < 2.2 VA / 24 V AC
System of units:	SI (default) or Imperial (switchable via DIP switch)
Data points:	Temperature [°C] [°F]
Measuring ranges:	Multi-range switching with 8 measuring ranges , see table (other ranges optional) with manual zero point correction (± 10K)
Sensor:	Pt1000, DIN EN 60751, class B (Perfect Sensor Protection)
Accuracy, temperature:	typically ± 0.2 K at +25 °C
Protective tube:	made from stainless steel V4A (1.4571), Ø 6 mm, NL = 65 mm
Housing:	Plastic, UV-resistant, material polyamide, 30 % glass-globe reinforced, with quick-release screws (slotted / Phillips head combination), colour traffic white (similar to RAL 9016), cover for display is transparent!
Housing dimension:	72 x 64 x 37.8 mm (Tyr 1 without display) 72 x 64 x 43.3 mm (Tyr 1 with display)
Cable connection:	Cable gland , plastic (M 16 x 1.5; with strain relief, exchangeable, max. inner diameter 10.4 mm) or M12 connector (male, 5-pin, A-code) according to DIN EN 61076-2-101
Electrical connection:	0.14 - 1.5 mm ² , via terminal screws
Process connection:	by means of screws
Ambient temperature:	Measuring transducer -30...+70 °C
Permissible humidity:	< 95 % RH, non-precipitating air
Protection class:	III (according to EN 60 730)
Protection type:	IP65 (according to EN 60 529) Housing tested, TÜV SÜD, Report No.713139052 (Tyr 1)
Standards:	CE conformity according to EMC directive 2014 / 30 / EU
Optional:	two-line display with illumination , cutout approx. 36x15 mm (W x H), for displaying the ACTUAL temperature and the internal diagnostics (sensor breakage, sensor short circuit)

ACCESSORIES (see table)

Display and internal diagnostics
THERMASGARD®
Measuring transducer with display





NEW

S+S REGELTECHNIK

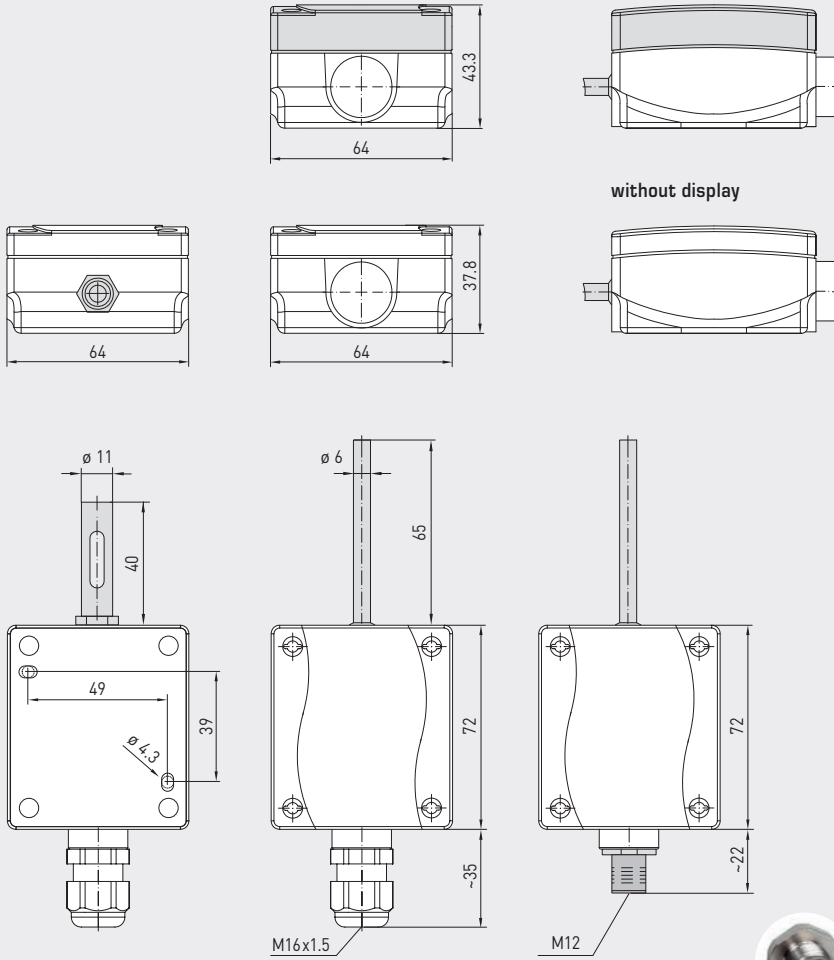
Thermasgard® ATM 2

Outside temperature / wet room temperature measuring transducers, calibratable, with multi-range switching and active output (Automatic Output Switching)



Dimensional drawing [mm]

ATM 2



Housing with SS-02 (on request)

Housing with cable gland

Housing with M12 connector

ATM 2 with cable gland and display



ATM 2-Q with M12 connector and display



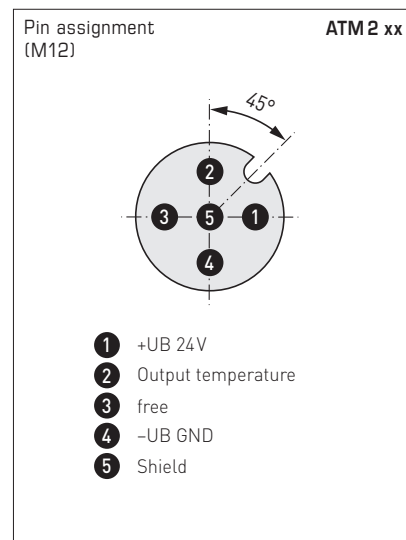
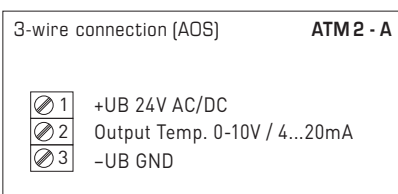
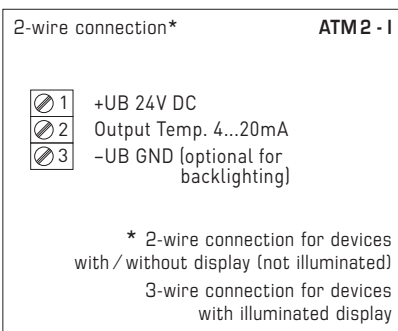
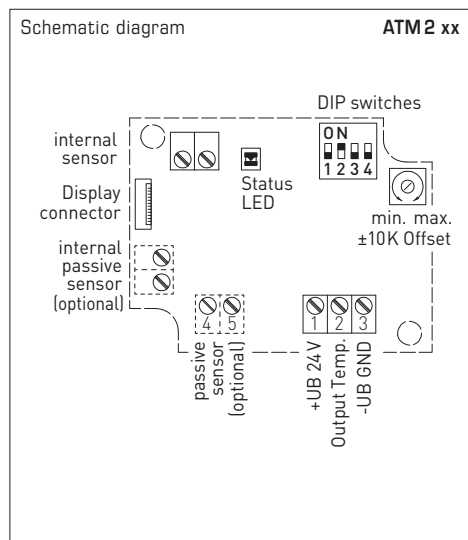
High-performance encapsulation against vibration, mechanical stress and humidity

PS-PROTECTION
PERFECT SENSOR PROTECTION

Automatic detection and switching to standard signal 0...10V or 4...20 mA

AOS-PATENTED
AUTOMATIC OUTPUT SWITCHING

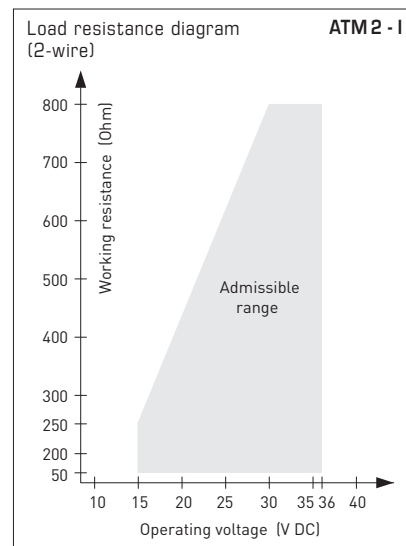
Outside temperature / wet room temperature measuring transducers, calibratable, with multi-range switching and active output (Automatic Output Switching)



Measuring ranges [°C]	DIP 1	DIP 2	DIP 3	Measuring ranges [°F]
-20... +150 °C	ON	ON	ON	-4...+302 °F
-50... +50 °C	OFF	ON	ON	-58...+122 °F
-20... +80 °C	ON	OFF	ON	-4...+176 °F
-30... +60 °C	OFF	OFF	ON	-22...+140 °F
0... +40 °C	ON	ON	OFF	32...+104 °F
0... +50 °C*	OFF	ON	OFF	32...+122 °F*
0... +100 °C	ON	OFF	OFF	32...+212 °F
0... +150 °C	OFF	OFF	OFF	32...+302 °F

Display [°C] / [°F]	DIP 4
Imperial [°F]	ON
SI (default) [°C]	OFF

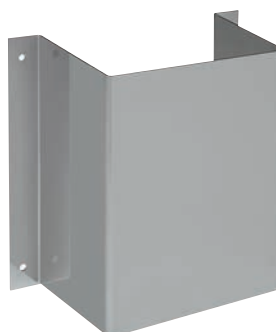
Display switchable
Temperature [°C] → [°F]
The display value depends on the set unit system (DIP 4).



For further technical information, see the operating instructions



Accessories WS-01



Accessories WS-04





NEW

Outside temperature / wet room temperature measuring transducers, calibratable, with multi-range switching and active output (Automatic Output Switching)

ATM 2-Q
with M12 connector



ATM 2
with cable gland

THERMASGARD® ATM 2		Outside temperature / wet room temperature measuring transducers (with cable gland)		
Type / WG01	Output	Display	Item No.	Price
ATM 2-I (2-wire)				
ATM2-I	4...20 mA		1101-1142-0009-900	110,92 €
ATM2-I LCD	4...20 mA	■	1101-1142-2009-900	167,09 €
ATM 2-A (3-wire AOS)				
ATM2-A	0-10 V / 4...20 mA		1101-114E-0009-900	110,92 €
ATM2-A LCD	0-10 V / 4...20 mA	■	1101-114E-2009-900	167,09 €
Automatic Output Switching (AOS):	Patented analogueinterface (patent no. DE 10 2015 015 941 B4) Unit automatically detects the required output type 0-10V or 4...20mA.			
Housing variant:	Cable connection with cable gland			
Extra charge:	other measuring ranges optional			28,03 €
	with sun protection SS02		on request	10,74 €

THERMASGARD® ATM 2-Q		Outside temperature / wet room temperature measuring transducers (with M12 connector)		
Type / WG01	Output	Q / Display	Item No.	Price
ATM 2-I Q (2-wire)				
ATM2-I Q	4...20 mA	●	2001-6111-2100-001	157,16 €
ATM2-I Q LCD	4...20 mA	● ■	2001-6112-2100-001	213,35 €
ATM 2-A Q (3-wire AOS)				
ATM2-A Q	0-10 V / 4...20 mA	●	2001-6111-B100-001	157,16 €
ATM2-A Q LCD	0-10 V / 4...20 mA	● ■	2001-6112-B100-001	213,35 €
Automatic Output Switching (AOS):	Patented analogueinterface (patent no. DE 10 2015 015 941 B4) Unit automatically detects the required output type 0-10V or 4...20mA.			
Housing variant "Q":	Cable connection with M12 connector (male, 5-pin, A-code)			
Extra charge:	other measuring ranges optional			28,03 €
	with sun protection SS02		on request	10,74 €

ACCESSORIES				
WS-01	Sun and ball-impact protection hood , 184 x 180 x 80 mm, stainless steel V2A (1.4301)		7100-0040-2000-000	35,05 €
WS-04	Weather and sun protection hood , 130 x 180 x 135 mm, stainless steel V2A (1.4301)		7100-0040-7000-000	41,35 €
Special accessories for M12 connector see chapter Accessories!				