

**Outside temperature sensors / wet room temperature sensors
with passive output**

Outside wall resistance thermometer / weather sensor **THERMASGARD® ATF 1** (internal sensor) with passive output, housing made of impact-resistant plastic and quick-locking screws.

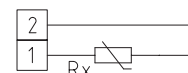
Outside wall resistance thermometer / weather sensor **THERMASGARD® ATF 01** (internal sensor) with passive output, housing made of impact-resistant plastic and snap-on lid.

It is used to measure outside temperatures, temperatures in wet room areas, e.g. as an outdoor sensor, weather sensor for installation on outside walls, in cold storage buildings and greenhouses, in halls, in the industrial sector and in agriculture. Installation in outdoor areas preferably at the north side of a building or in a protected place. In cases of direct solar irradiation, we recommend the use of our **WS01** or **WS04** sun protection hood (accessory).

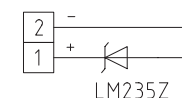
TECHNICAL DATA

| | |
|------------------------|--|
| Measuring range: | -50...+90 °C |
| Sensors / output: | passive (see table), sensors internal |
| Connection type: | 2-wire connection (4-wire connection on PT100/PT1000A, optional on other sensors) |
| Testing current: | < 0.6 mA (Pt1000) < 1.0 mA (Pt100) < 0.3 mA (Ni1000, Ni1000 TK5000) < 2.0 mW (NTC xx) 400 µA...5 mA (LM235Z) |
| Housing: | plastic, UV-resistant, material polyamide, 30% glass-globe reinforced, colour traffic white (similar to RAL 9016), ATF01 with snap-on lid, ATF1 with quick-locking screws (slotted / Phillips head combination) |
| Housing dimensions: | 72 x 64 x 37.8 mm (Tyr 1 / Tyr 01) |
| Cable connection: | cable gland , plastic (M 16 x 1.5; with strain relief, exchangeable, max. inner diameter 10.4 mm) or M12 connector according to DIN EN 61076-2-101 |
| Electrical connection: | 0.14 - 1.5 mm ² , via terminal screws |
| Insulating resistance: | ≥ 100 MΩ, at +20 °C (500 V DC) |
| Humidity: | < 95 % RH, non-precipitating air |
| Protection class: | III (according to EN 60 730) |
| Protection type: | ATF01 IP 54 (according to EN 60 529) Housing tested, TÜV SÜD, Report No. 713160960A (Tyr 01) ATF1 IP 67 (according to EN 60 529) Housing tested, TÜV SÜD, Report No. 713139052 (Tyr 1) |

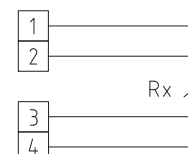
1x two-wire connection
standard



1x two-wire connection
LM235Z (KP 10)



1x four-wire connection
(optional)



THERMASGARD® ATF 01 Outside temperature sensors / wet room temperature sensors, *Standard*
with snap-on lid

| Type/WG03 | Sensor/Output | Item No. | Price |
|--------------------|--|--------------------|--------------------------|
| ATF01 | | IP 54 | |
| ATF01 Pt100 | Pt100 (according to DIN EN 60 751, class B) | 1101-1030-1003-000 | 16,87 € |
| ATF01 Pt1000 | Pt1000 (according to DIN EN 60 751, class B) | 1101-1030-5001-000 | 19,76 € |
| ATF01 Ni1000 | Ni1000 (according to DIN EN 43 760, class B, TCR = 6180 ppm / K) | 1101-1030-9001-000 | 20,63 € |
| ATF01 NiTK | Ni1000 TK5000 (TCR = 5000 ppm / K), LG-Ni1000 | 1101-1031-0001-000 | 23,94 € |
| ATF01 LM235Z | LM235Z (TCR = 10 mV / K; 2.73 V at 0 °C), KP10 | 1101-1032-1001-000 | 17,39 € |
| ATF01 NTC1,8K | NTC 1.8K | 1101-1031-2001-000 | 16,03 € |
| ATF01 NTC10K | NTC 10K | 1101-1031-5001-000 | 16,03 € |
| ATF01 NTC20K | NTC 20K | 1101-1031-6001-000 | 16,03 € |
| Extra charge: | Other sensors optional Cable connection with M12 connector according to DIN EN 61076-2-101 | | on request on request |
| ACCESSORIES | | | |
| WS-01 | Sun and ball-impact protection hood , 184 x 180 x 80 mm, stainless steel V2A (1.4301) | 7100-0040-2000-000 | 35,05 € |
| WS-04 | Weather and sun protection hood , 130 x 180 x 135 mm, stainless steel V2A (1.4301) | 7100-0040-7000-000 | 41,35 € |

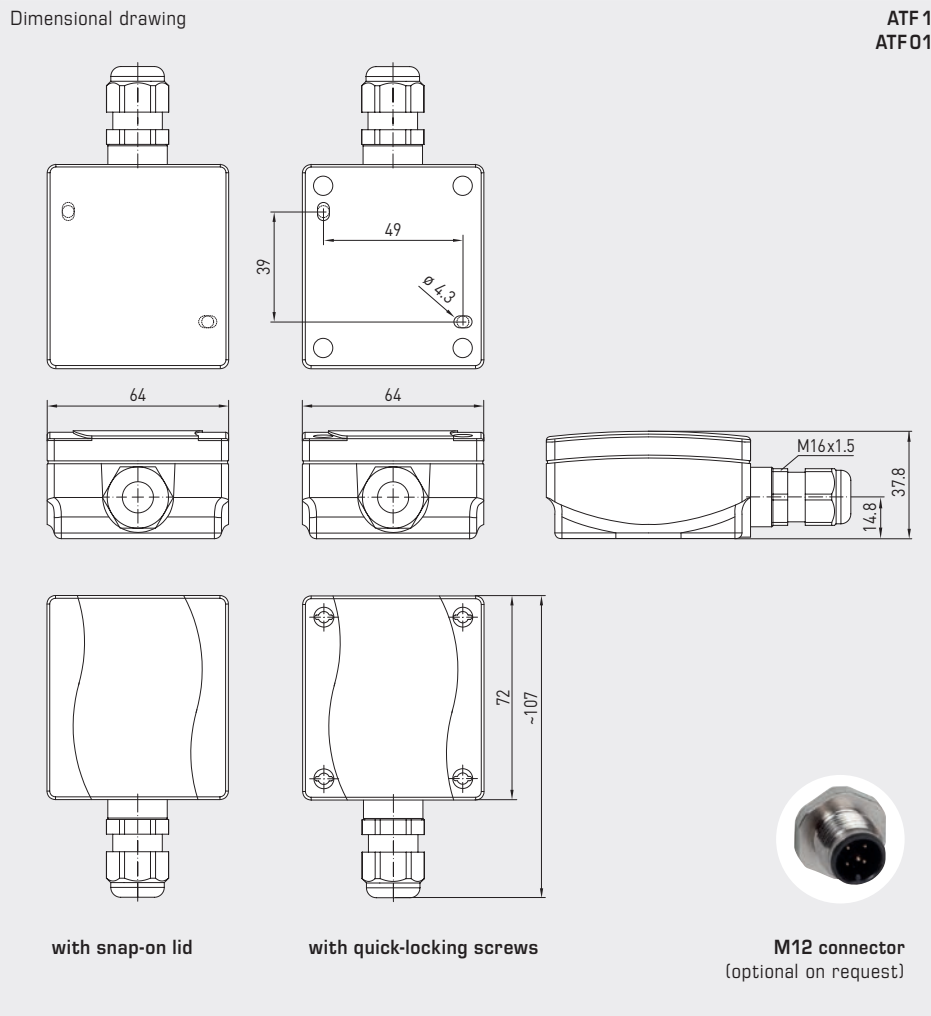
For further information see last chapter!



S+S REGELTECHNIK

THERMASGARD® ATF 1
THERMASGARD® ATF 01

Outside temperature sensors / wet room temperature sensors
with passive output



ATF 1
ATF01

ATF 01
with snap-on lid
(IP54)



ATF 1
with quick-locking screws
(IP67)



THERMASGARD® ATF 1 Outside temperature sensors / wet room temperature sensors, *Premium*
with quick-locking screws

| Type / WG03 | Sensor / Output | Item No. | Price |
|--------------------|--|--------------------------|----------------|
| ATF 1 | | IP67 | |
| ATF1 Pt100 | Pt100 (according to DIN EN 60 751, class B) | 1101-1040-1003-000 | 19,50 € |
| ATF1 Pt1000 | Pt1000 (according to DIN EN 60 751, class B) | 1101-1040-5001-000 | 22,38 € |
| ATF1 Pt1000A | Pt1000 (according to VDI / VDE 3512, class A-TGA) | 1101-1040-6003-000 | 26,16 € |
| ATF1 Ni1000 | Ni1000 (according to DIN EN 43 760, class B, TCR = 6180 ppm / K) | 1101-1040-9001-000 | 21,85 € |
| ATF1 NiTK | Ni1000 TK5000 (TCR = 5000 ppm / K), LG - Ni1000 | 1101-1041-0001-000 | 26,56 € |
| ATF1 LM235Z | LM235Z (TCR = 10 mV / K; 2.73 V at 0 °C), KP10 | 1101-1042-1001-000 | 20,00 € |
| ATF1 NTC1,8K | NTC 1.8 K | 1101-1041-2001-000 | 17,79 € |
| ATF1 NTC10K | NTC 10K | 1101-1041-5001-000 | 17,79 € |
| ATF1 NTC20K | NTC 20K | 1101-1041-6001-000 | 17,79 € |
| Extra charge:: | Other sensors optional Cable connection with M12 connector according to DIN EN 61076-2-101 | on request on request | |
| ACCESSORIES | | | |
| WS-01 | Sun and ball-impact protection hood , 184 x 180 x 80 mm, stainless steel V2A (1.4301) | 7100-0040-2000-000 | 35,05 € |
| WS-04 | Weather and sun protection hood , 130 x 180 x 135 mm, stainless steel V2A (1.4301) | 7100-0040-7000-000 | 41,35 € |

For further information see last chapter!