

Surface contact temperature controllers, including tension spring

Mechanical temperature controllers / contact thermostats **THERMASREG® ALTR** with switching output (two-position controller) for monitoring, controlling and limitation of temperatures at pipes or vessels, e.g. in connection with hot-water or floor heating systems. The contact temperature controller ALTR is built as one-step device, as adjustable temperature controller **TR** (with external setting) or as adjustable temperature monitor **TW** (with internal setting).

TECHNICAL DATA

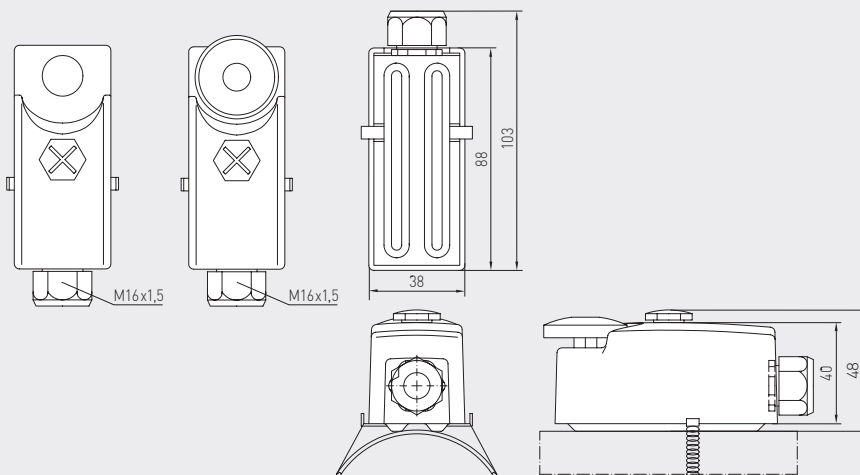
| | |
|---------------------------------------|---|
| Switching capacity: (Contact load) | 16 (4) A; 24...250 V AC at 24 V AC min. 150 mA |
| Max. sensor temperature: | +110 °C |
| Contact: | dust-proof switch block unit as potential-free single-pole changeover contact |
| Housing: | ABS (acrylonitrile butadiene styrene), fibre-glass reinforced, base: steel, galvanised, top: grey, M 16 x 1.5 |
| Housing temperature: | -35...+65 °C |
| Tolerance: | T _{min} ± 5 K; T _{max} ± 5 K |
| Sensor element: | bi-metal |
| Housing dimensions: | 38 x 48 x 103 mm |
| Process connection: | by metal tension spring, 220 mm long (included in the scope of delivery) |
| Electrical connection: | 0.14 - 1.5 mm ² via terminal screws |
| Protection class: | I (according to EN 60 730) |
| Protection type: | IP 40 (according to EN 60 529) |
| Standards: | CE conformity according to EMC directive 2014 / 30 / EU, low-voltage directive 2014 / 35 / EU |

FUNCTION

Heating: wire contacts C - 1
Cooling: wire contacts C - 2

Dimensional drawing

ALTR 060 / 090



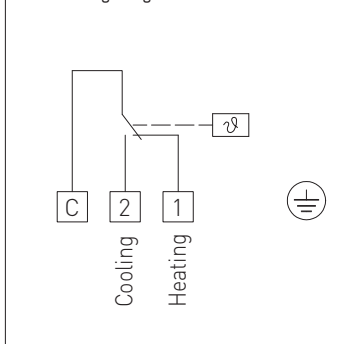
ALTR 060 / 090



ALTR 060 / 090 U



Connecting diagram ALTR 060 / 090



THERMASREG® ALTR 060 / 090 Surface contact temperature controllers

| Type / WG01 | Temperature Range | Thermal Operating Difference (fixed) approx. | Max. Capillary Temperature | Item No. | Price |
|-------------------------|-------------------|--|----------------------------|---|----------------|
| ALTR 060 / 090 | | | | | |
| ALTR-060 | 0...+60 °C | 8 K (± 1 K) | +110 °C | TR (External setting) 1102-1040-1100-300 | 35,13 € |
| ALTR-090 | 0...+90 °C | 8 K (± 1 K) | +110 °C | 1102-1040-1100-400 | 35,13 € |
| ALTR 060 / 090 U | | | | | |
| ALTR-060 U | 0...+60 °C | 8 K (± 1 K) | +110 °C | TW (Internal setting) 1102-1040-2100-300 | 35,13 € |
| ALTR-090 U | 0...+90 °C | 8 K (± 1 K) | +110 °C | 1102-1040-2100-400 | 35,13 € |