



The light intensity sensor / twilight sensor **PHOTASGARD® AHKF** with six switchable measuring ranges (six devices in one) measures the luminous intensity and is used to control luminaries, lighting systems, Venetian blinds and canvas blinds, etc., to monitor lighting conditions at work-places, in greenhouses, storage halls, workshops, corridors, in outdoor areas, in industrial halls, in offices as well as in residential and business facilities, for daylight-dependant constant light control, as light intensity or twilight sensor and as sun protection control to avoid unnecessary room heating. Therefore it minimizes your variety of types and stock keeping while covering a greater range of universal applications. The sensor used was specifically adapted to the sensitivity of the human eye. Its greatest sensitivity is in the range of 400nm to 700nm. With its special filter, the sensor is therefore ideally suited for measuring exposure to daylight and/or for measuring artificial light of high colour temperature (similar to sunlight).

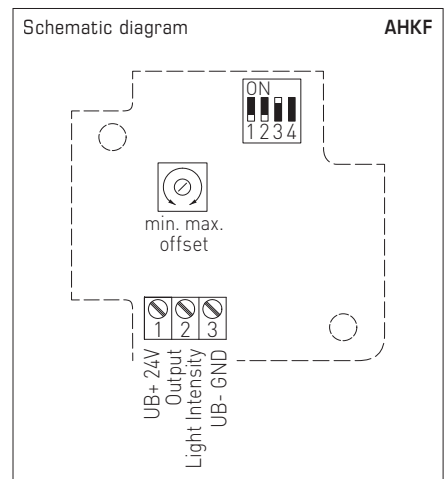
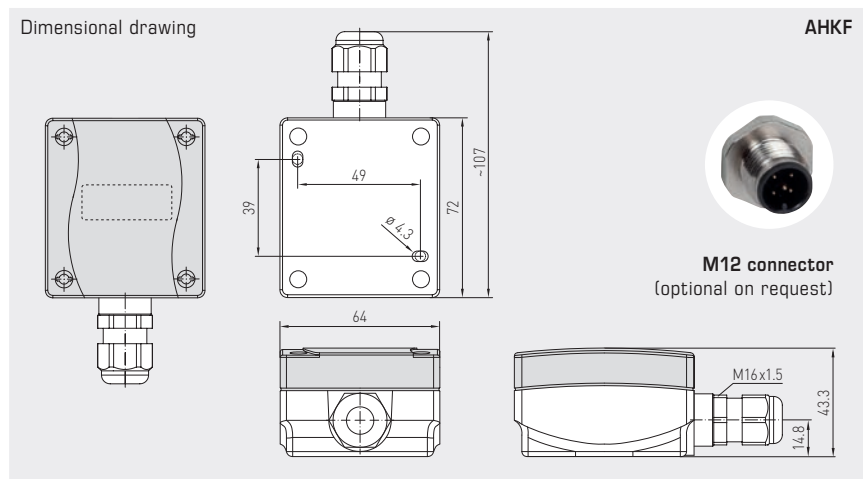
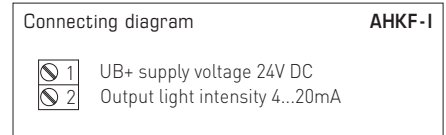
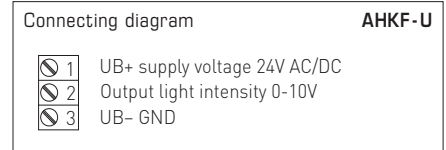
**TECHNICAL DATA**

Power supply:	24 V AC (±20%); 15...36V DC for U variant 15...36V DC for I variant, depending on working resistance, residual ripple stabilised ±0.3V
Working resistance:	$R_a(\text{ohm}) = (U_b - 14 \text{ V}) / 0.02 \text{ A}$ for I variant
Load resistance:	$R_L > 5 \text{ kOhm}$ for U variant
Power consumption:	< 1 W at 24 V DC; < 2 VA at 24 V AC
Sensor:	light sensor
Measuring ranges:	<b>multi-range switching</b> (via DIP switches) <b>0...500 Lux / 1 kLux / 2 kLux / 5 kLux / 20 kLux / 60 kLux</b> (other individual ranges optional on request)
Output:	4...20mA or 0-10V (2- or 3-wire connection)
Accuracy:	typically < 5% of final value
Ambient temperature:	-30...+70 °C
Electrical connection:	0.14 - 1.5 mm², via terminal screws
Housing:	plastic, UV-resistant, material polyamide, 30% glass-globe reinforced, with quick-locking screws (slotted / Phillips head combination), colour traffic white (similar to RAL 9016), Housing cover is transparent!
Housing dimensions:	72 x 64 x 43.3 mm (Tyr 1)
Cable connection:	<b>cable gland</b> , plastic (M 16 x 1.5; with strain relief, exchangeable, inner diameter 10.4 mm) <b>or</b> <b>M12 connector</b> (optional on request)
Installation:	on-wall
Protection class:	III (according to EN 60 730)
Protection type:	<b>IP 67</b> (according to EN 60 529) housing tested, TÜV SÜD, report no. 713139052 (Tyr 1)
Standards:	CE conformity according to EMC directive 2014 / 30 / EU



AHKF

Measuring ranges (selectable)	DIP 1	DIP 2	DIP 3	DIP 4
0...500 Lux	OFF	OFF	OFF	-
0... 1 kLux	<b>ON</b>	OFF	OFF	-
0... 2 kLux	OFF	<b>ON</b>	OFF	-
0... 5 kLux	<b>ON</b>	<b>ON</b>	OFF	-
0... <b>20 kLux</b> (default)	OFF	OFF	<b>ON</b>	-
0... 60 kLux	<b>ON</b>	OFF	<b>ON</b>	-



**PHOTASGARD® AHKF** Outdoor light intensity sensors / twilight sensors

Type/WG01	Measuring Range Light Intensity (adjustable)	Output Light Intensity	Item No.	Price
<b>AHKF</b>				
AHKF-I	0...500 Lux / 1 / 2 / 5 / 20 / 60 kLux	4 ... 20mA	1601-1112-1000-000	<b>111,19 €</b>
AHKF-U	0...500 Lux / 1 / 2 / 5 / 20 / 60 kLux	0-10V	1601-1111-1000-000	<b>111,19 €</b>
Extra charge:	other individual measuring ranges optional			on request